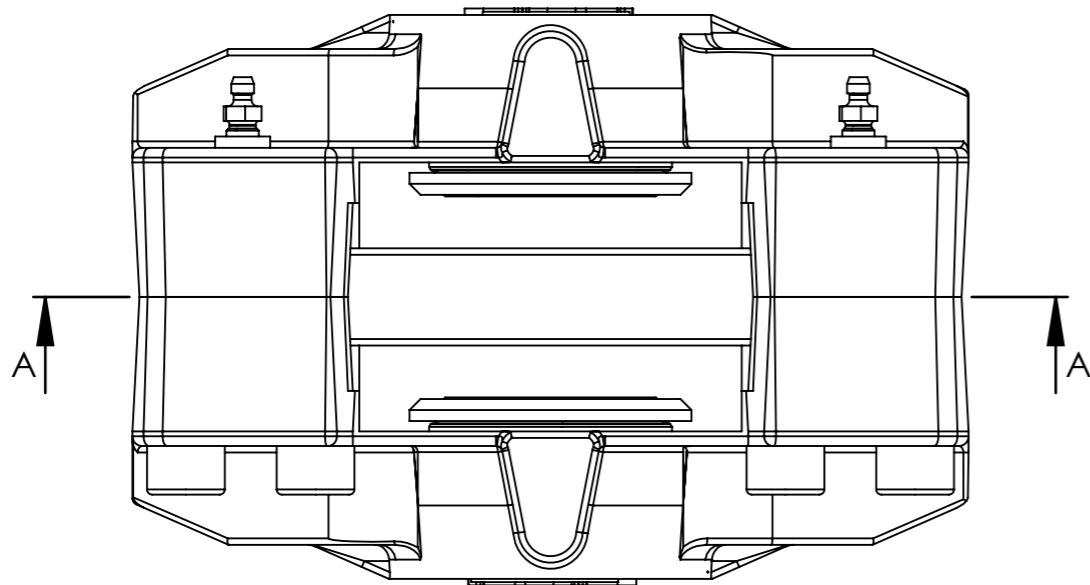
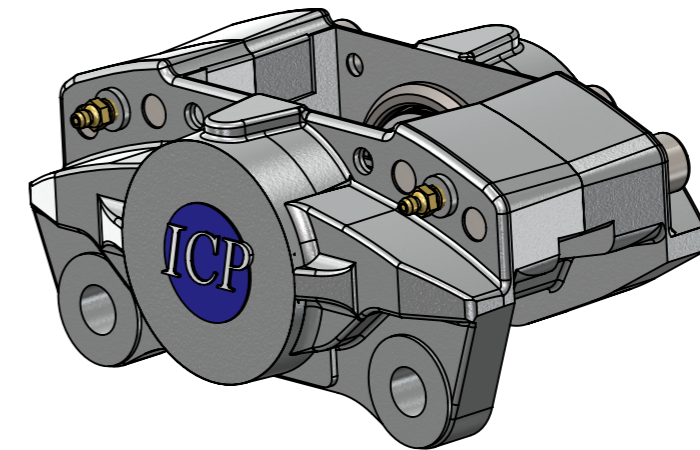
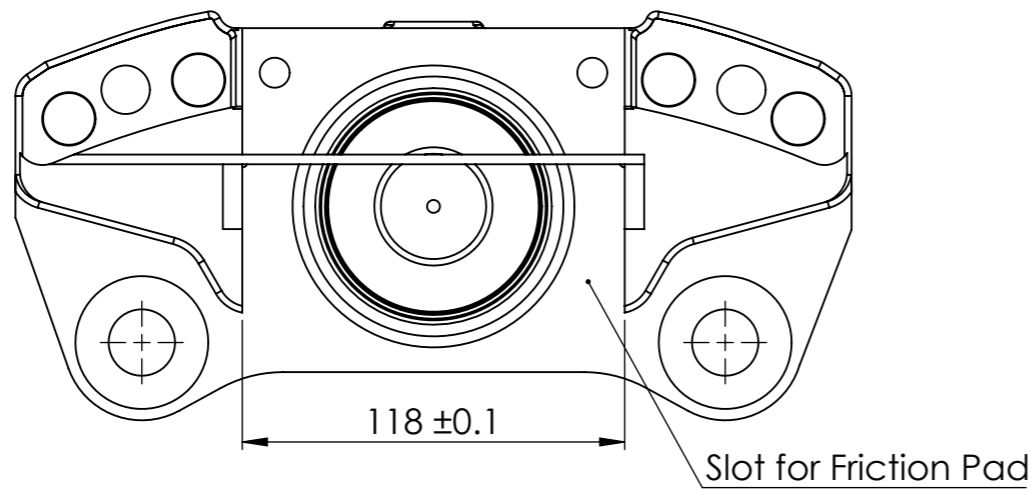


SECTION A-A
SCALE 3:7



Industrial Clutch Parts



DRAWN: CMJ
DATE: 28/02/2017

TITLE: ICP Rotor Brake. Side mounted

GENERAL TOLERANCES
ANGLE/LINER TOL TO ISO2768-C
GEOMETRIC TOL TO ISO2768-K

PROCESS TO ISO2063 / ISO7253 (H2-1)

DWG NO. AB0016
REVISION: -
A3

Material: -

Weight: -

SCALE: 3:7

SHEET 1 OF 1