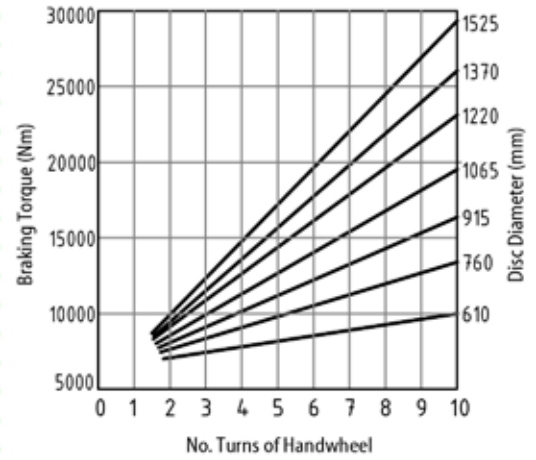
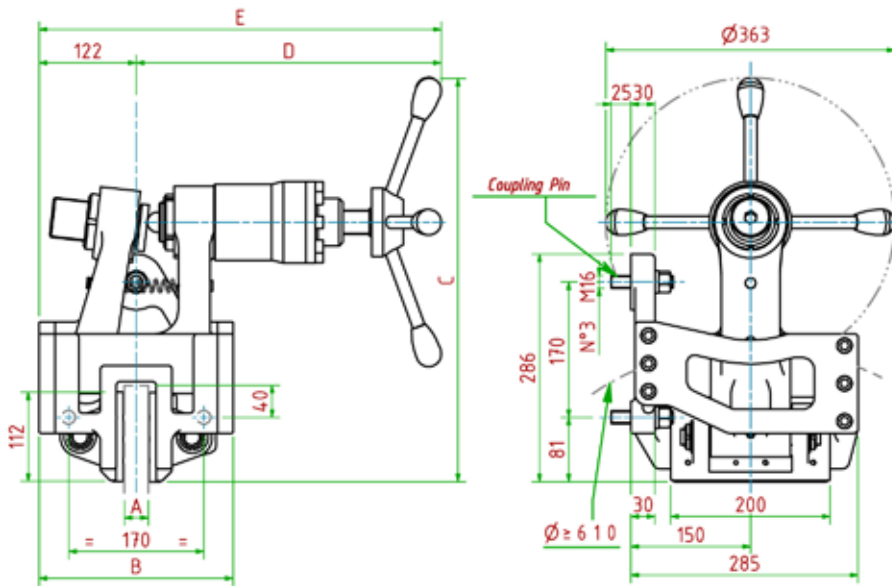


Caliper Brake

Hand Operated



CBM 9



Braking Torque: $Md = [Ftx(\Phi(m)/2-0.065(m))]$

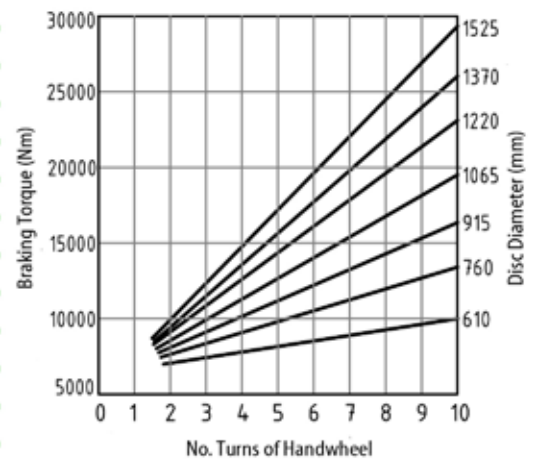
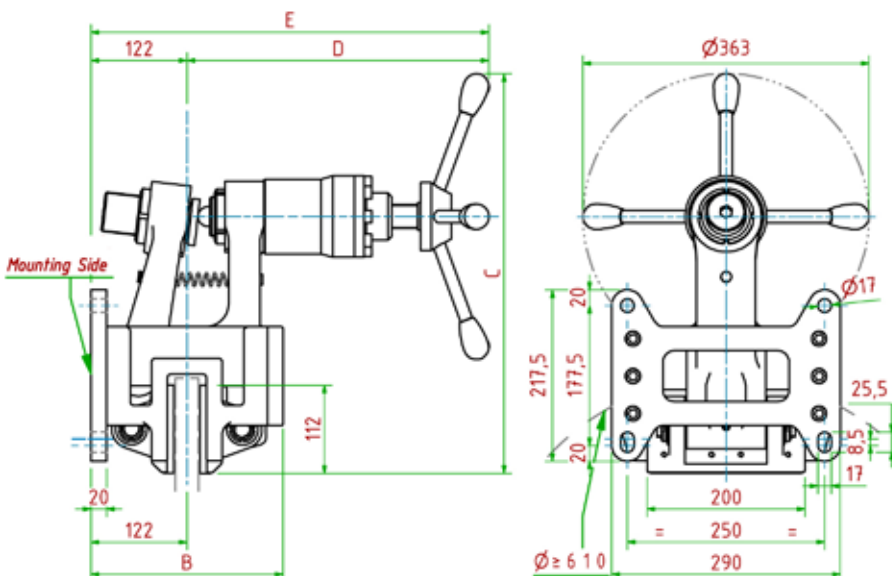
Warning: Initial Braking Torque can be reduced by 30%-50%

Maximum total wear of pads = 12mm

MODEL	CODE	A	B	C	D Max	E Max	Braking Force	Weight
CBM 9/25	051090701	25.4	244	507	384	506	Ft = 41800N	62.5kg
CBM 9/30	051090702	30	244	507	384	506	Ft = 41800N	62.5kg
CBM 9/40	051090703	40	244	507	389	511	Ft = 41800N	62.5kg



CBM 10



Braking Torque: $Md = [Ftx(\Phi(m)/2-0.065(m))]$

Warning: Initial Braking Torque can be reduced by 30%-50%

Maximum total wear of pads = 12mm

MODEL	CODE	A	B	C	D Max	E Max	Braking Force	Weight
CBM 10/25	051100701	25.4	244	507	384	506	Ft = 41800N	60.0kg
CBM 10/30	051100702	30	244	507	384	506	Ft = 41800N	60.0kg
CBM 10/40	051100703	40	244	507	389	511	Ft = 41800N	60.0kg

