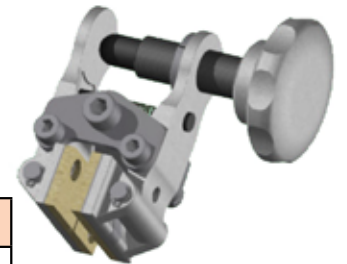
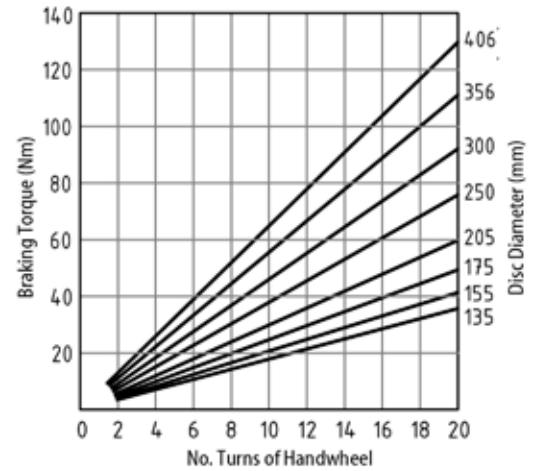
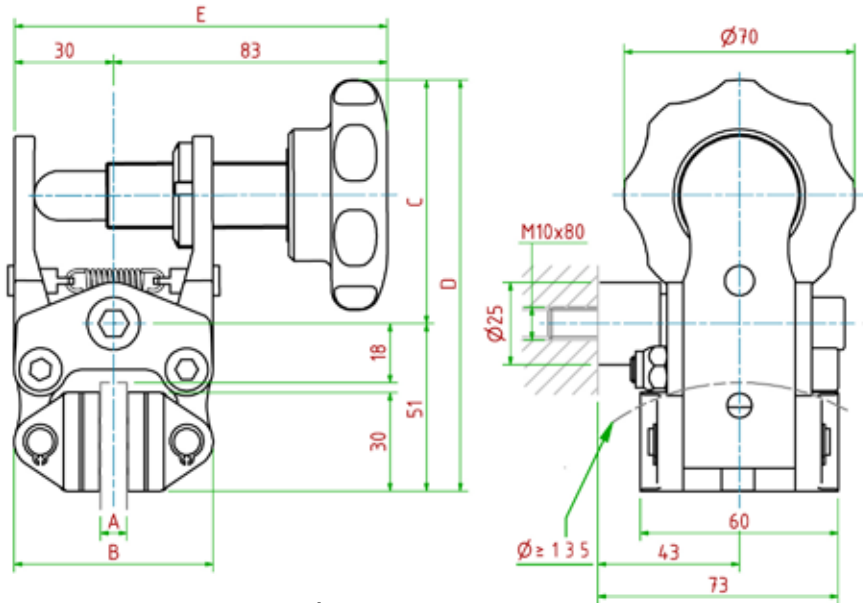


# Caliper Brake

## Hand Operated



### CBM 3



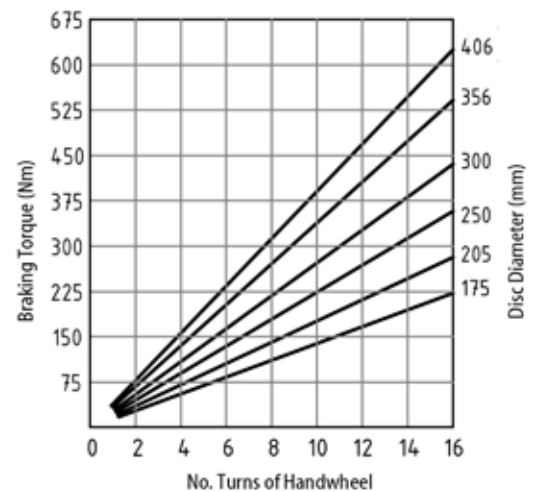
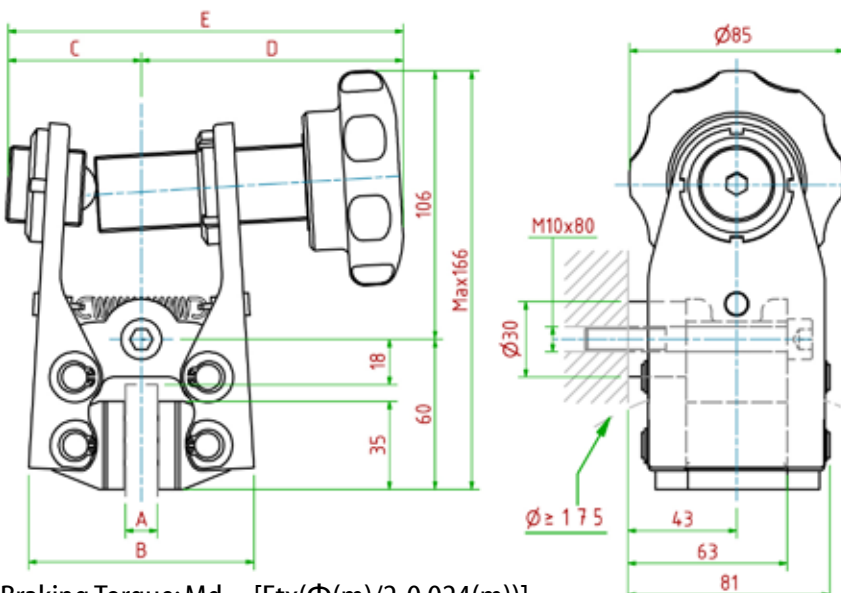
Braking Torque:  $M_d = [F_t x (\Phi(m)/2 - 0.018(m))]$

Warning: Initial Braking Torque can be reduced by 30%-50%

Maximum total wear of pads = 5mm

MODEL	CODE	A	B	C	D Max	E Max	Braking Force	Weight
CBM 3/08	051030701	8	61	74	125	113	Ft = 700N	1.1kg
CBM 3/12	051030702	12.7	65	76	127	113	Ft = 700N	1.2kg

### CBM 4



Braking Torque:  $M_d = [F_t x (\Phi(m)/2 - 0.024(m))]$

Warning: Initial Braking Torque can be reduced by 30%-50%

Maximum total wear of pads = 7mm

MODEL	CODE	A	B	C	D Max	E Max	Braking Force	Weight
CBM 4/08	051040701	8	85	54	103	157	Ft = 3500N	3.2kg
CBM 4/12	051040702	12.7	89	53	104	157	Ft = 3500N	3.3kg
CBM 4/25	051040703	25.4	102	54	111	165	Ft = 3500N	3.4kg