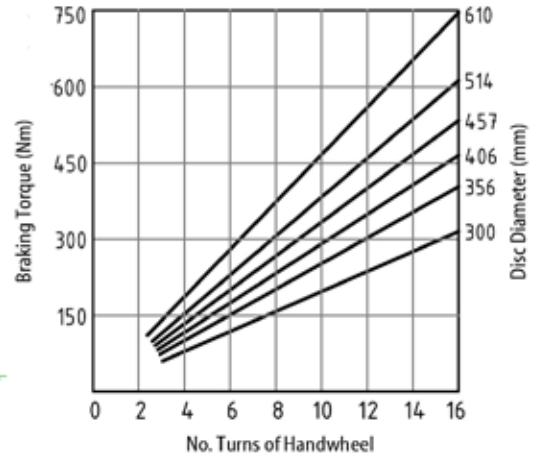
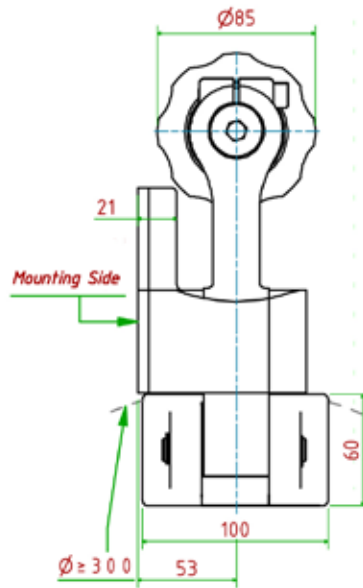
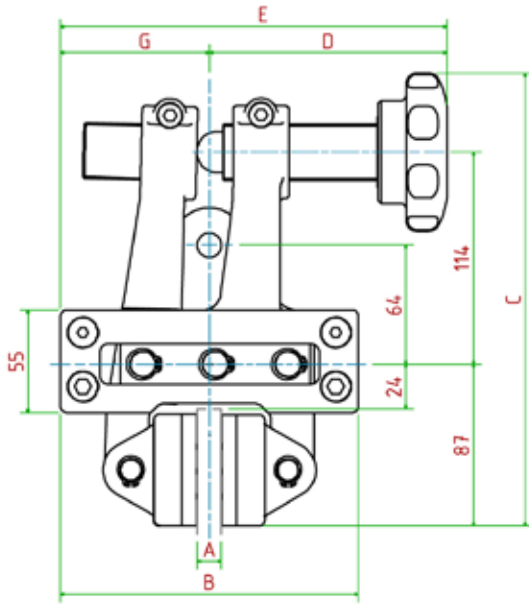


Caliper Brake

Hand Operated



CBM 7



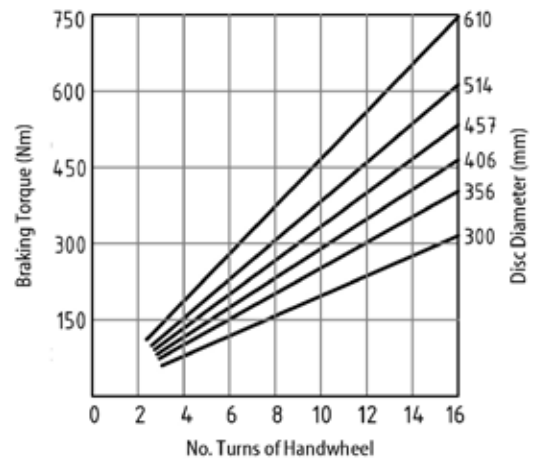
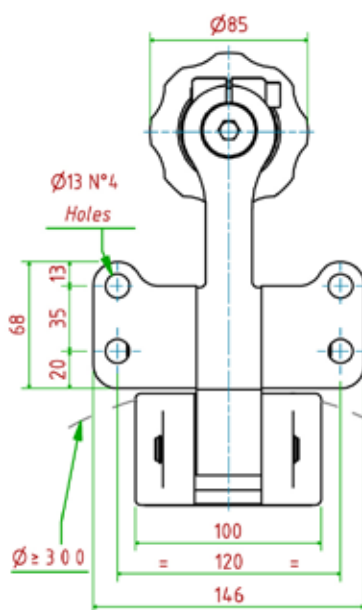
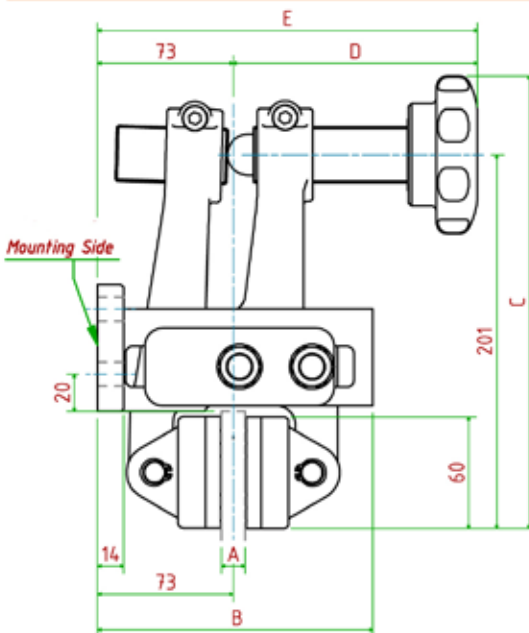
Braking Torque: $M_d = [F_t x (\Phi(m)/2 - 0.033(m))]$

Warning: Initial Braking Torque can be reduced by 30%-50%

Maximum total wear of pads = 9mm

MODEL	CODE	A	B	C	D Max	E Max	G	Braking Force	Weight
CBM 7/12	051070701	12.7	160	244	129	209	80	Ft = 2750N	10.0kg
CBM 7/25	051070702	25.4	180	244	135	225	90	Ft = 2750N	10.4kg

CBM 8



Braking Torque: $M_d = [F_t x (\Phi(m)/2 - 0.033(m))]$

Warning: Initial Braking Torque can be reduced by 30%-50%

Maximum total wear of pads = 9mm

MODEL	CODE	A	B	C	D Max	E Max	Braking Force	Weight
CBM 8/12	051080701	12.7	148	244	131	204	Ft = 2750N	8.7kg
CBM 8/25	051080702	25.4	148	244	138	211	Ft = 2750N	8.9kg