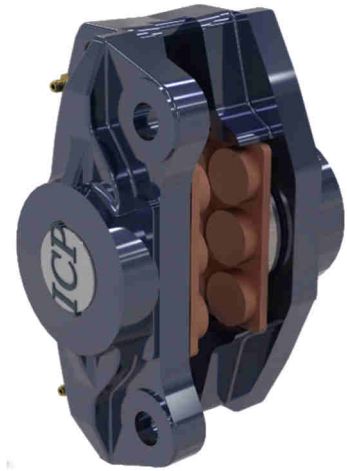
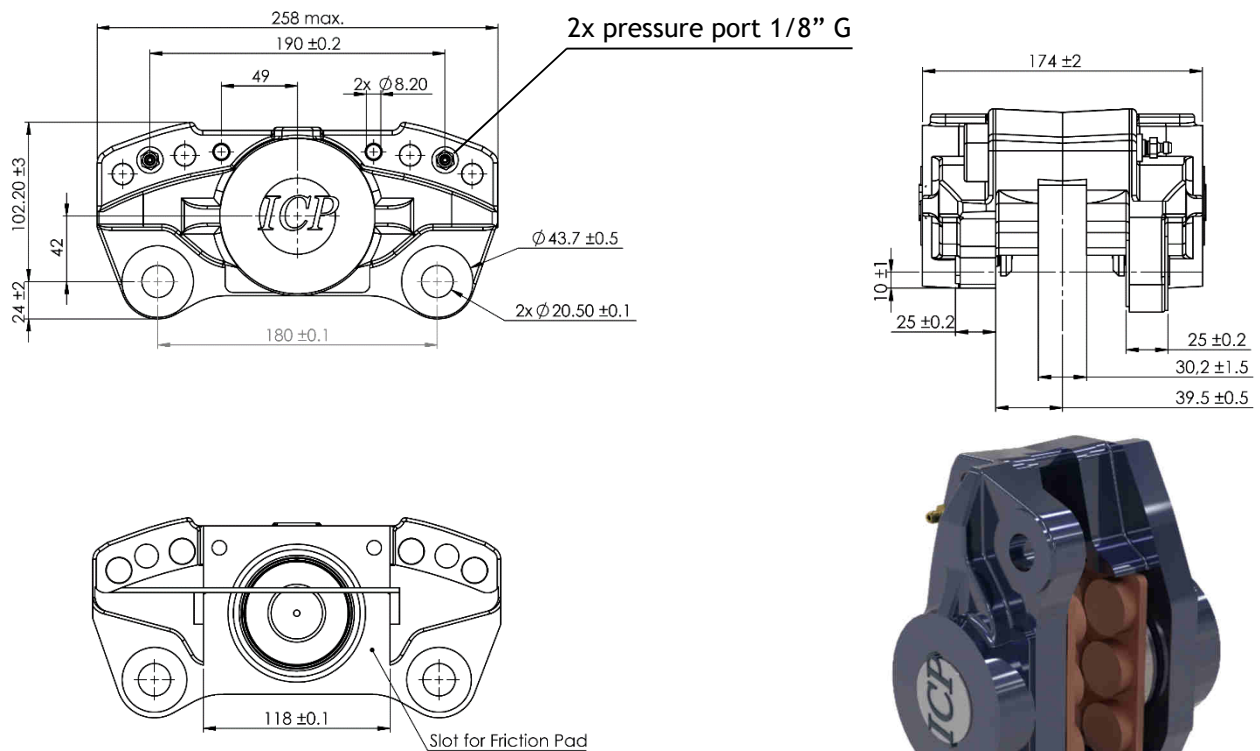


BRAKE TYPE HAB-2-75

HYDRAULIC APPLIED BRAKE



Description

HAB-2-75 is an active brake with two caliper halves for stopping, holding and controlling motion.

There are 2 options for the pressure port; Top mounted and Side mounted dependant on your application.

HAB-2-75 is suitable for horizontal and vertical mounting.

Main features

- Hydraulic applied brake.
- Compact and robust construction and design.
- Side or top position for oil inlet
- Easy maintenance.
- Sinter metal linings.
- Stainless steel pistons.
- Long service life.
- Protection C4-H, according ISO 12944-2
- Reactive humidity $\leq 70\%$
- Suitable for low temperature applications.

BRAKE TYPE HAB-2-75

HYDRAULIC APPLIED BRAKE

Piston Area (mm ²)	4418
Pad area (sintered)(mm ²)	5447
Max. wear of pad (organic)(mm)	10
Friction coefficient (μ)	0.4
Operating pressure (Mpa or N/mm ²)	15
Max working pressure (Mpa or N/mm ²)	18
Total piston area: each caliper half (mm ²)	4418
Volume for each caliper at 1 mm stroke (mm ³)	4418
Max. Clamping Force (N)	66270 (each half caliper)
Max. Braking Force (N)	53016
Brake Disc thickness (mm)	20 - 30
Brake Disc Diameter (mm)	300 - 750
Pressure connection/port	1/8" G BSP
Operating temperature (°C)	-30 to +70

Assembly with the Rotor Brake:

$$\text{Brake Torque} = \mu \times \text{Clamping Force} \times R' (\text{N} * \text{mm})$$

