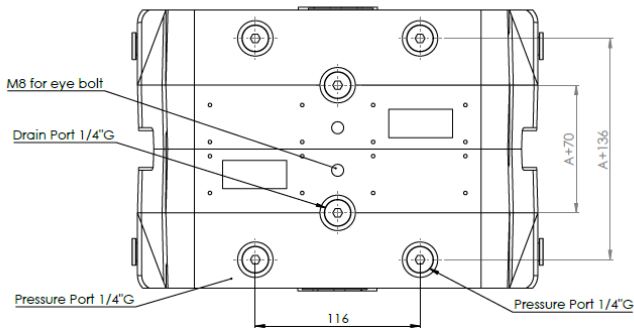
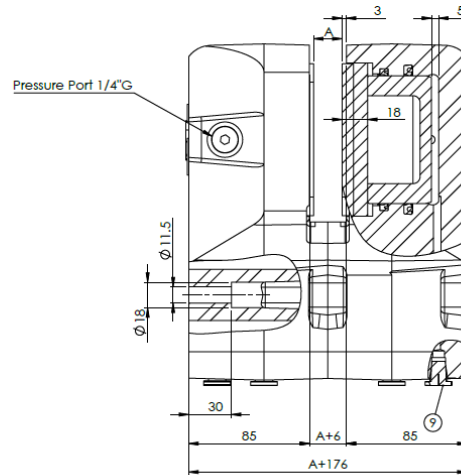
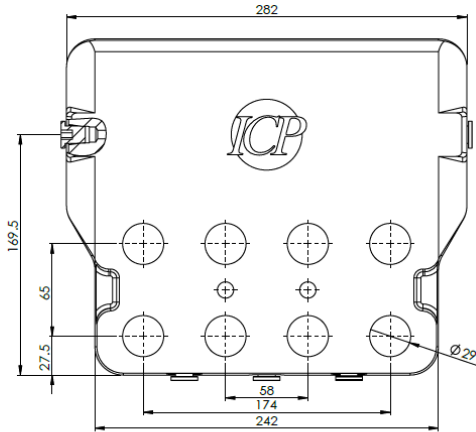


BRAKE TYPE HAB-4-75

HYDRAULIC APPLIED BRAKE



Description

HAB-4-75 is a hydraulic applied brake suitable for dynamic or static applications.

HAB-4-75 is a compact design with two pistons in each opposed caliper. Can be installed in horizontal or vertical orientation.

Main features

- Hydraulic applied brake.
- Compact and robust design.
- Easy maintenance.
- Organic, asbestos free linings.
- Four pistons.
- Long service life.
- Protection C4-H, according ISO 12944-2
- Reactive humidity $\leq 70\%$

