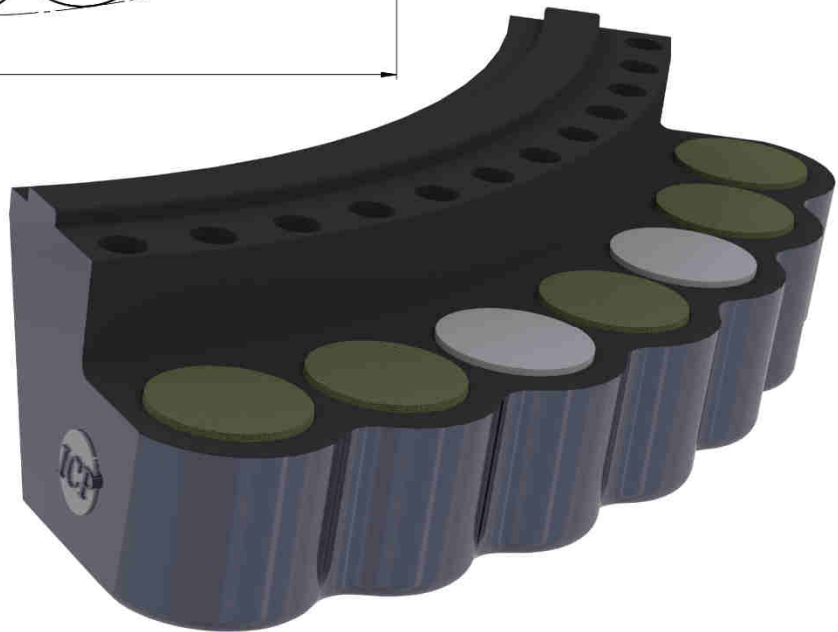
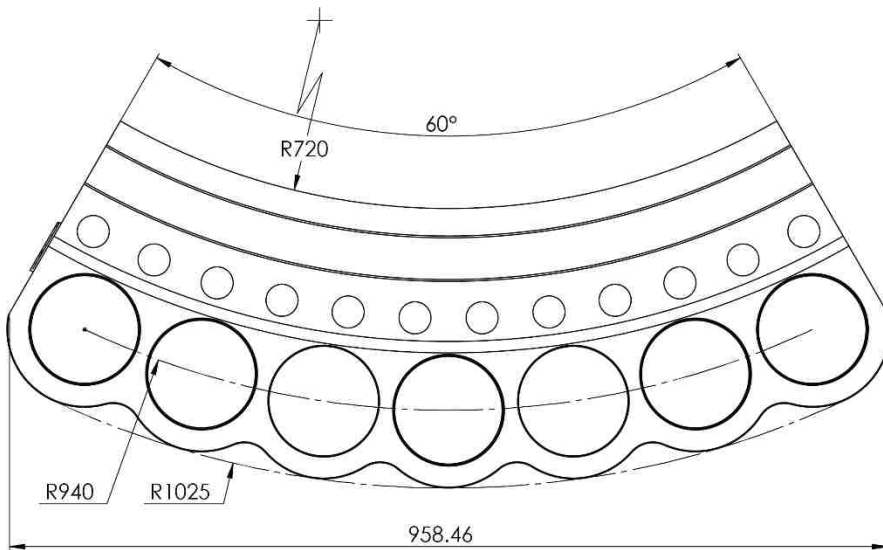
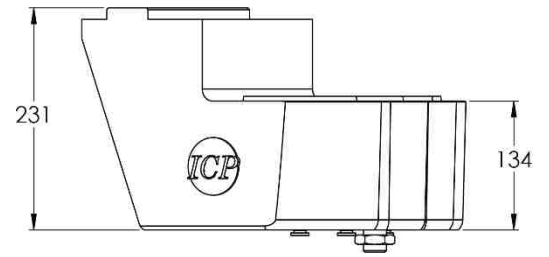
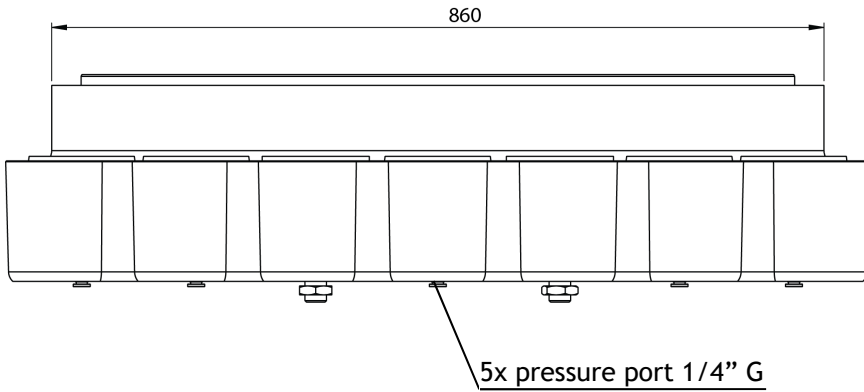


YAW BRAKE TYPE HHB-5-110

INTERCHANGEABLE WITH GAMESA G-8X WIND TURBINES



YAW BRAKE TYPE HHB-5-110

INTERCHANGEABLE WITH GAMESA G-8X WIND TURBINES

Description

HHB-5-110 is a hybrid brake suitable for providing braking force to stop, hold or control yaw movement.

HHB-5-110 is a hybrid design incorporating five hydraulically actuated pistons and two passive spring applied pistons.

Main features

- Hydraulic applied brake.
- Compact and robust construction and design.
- Easy maintenance.
- Organic asbestos free lining.
- Stainless steel pistons.
- Long service life.
- Protection C4-H, according ISO 12944-2
- Reactive humidity $\leq 70\%$

Operating pressure (Mpa or N/mm ²)	16
Piston Area (mm ²)	9503
Pad area (mm ²)	54094
Max. wear of pad (organic)(mm)	10
Friction coefficient (μ)	0.4
Max working pressure (Mpa or N/mm ²)	18
Total piston area(mm ²)	6361
Volume for each caliper at 1 mm stroke (mm ³)	47515
Max. Clamping Force (N)	47515
Pressure connection/port	1/4" G BSP