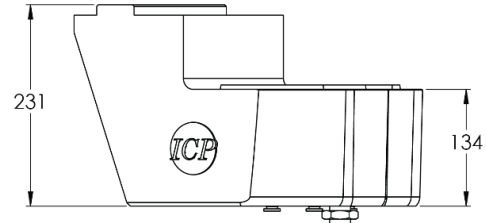
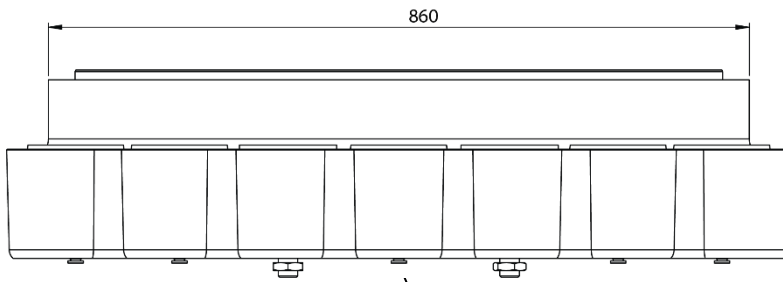
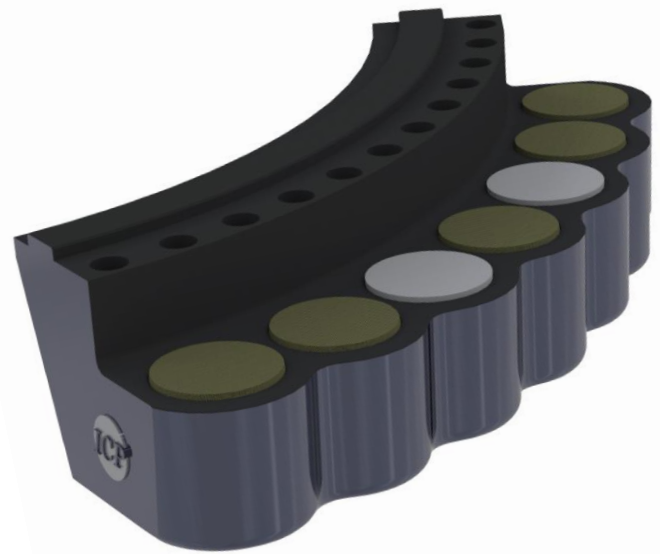
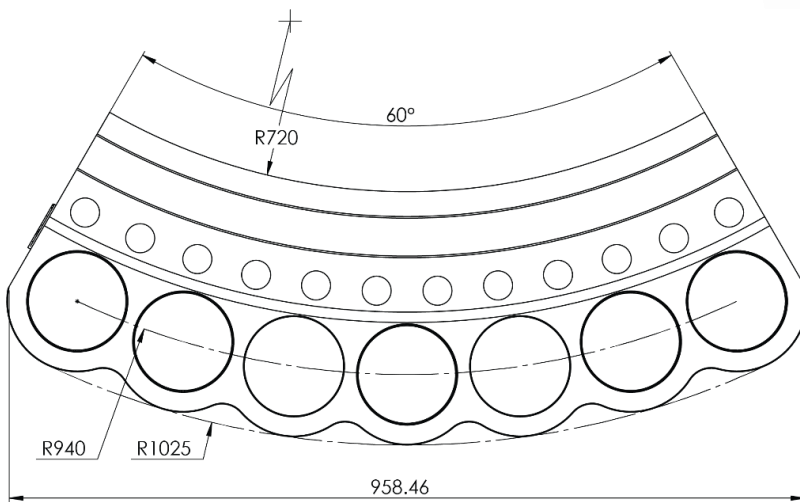


# YAW BRAKE TYPE HHB-5-110

INTERCHANGEABLE WITH GAMESA G-8X WIND TURBINES



5x pressure port 1/4" G



## Description

HHB-5-110 is a hybrid brake suitable for providing braking force to stop, hold or control yaw movement.

HHB-5-110 is a hybrid design incorporating five hydraulically actuated pistons and two passive spring applied pistons.

## Main features

- Hydraulic applied brake.
- Compact and robust design.
- Easy maintenance.
- Organic asbestos free lining.
- Five hydraulic pistons.
- Two passive spring applied pistons.
- Long service life.
- Protection C4-H, according ISO 12944-2
- Reactive humidity  $\leq 70\%$

# YAW BRAKE TYPE HHB-5-110

INTERCHANGEABLE WITH GAMESA G-8X WIND TURBINES

Operating pressure (Mpa or N/mm <sup>2</sup> )	<b>16</b>
Piston area (mm <sup>2</sup> )	<b>9503</b>
Pad area (mm <sup>2</sup> )	<b>54094</b>
Max. wear of <u>organic</u> pad (mm)	<b>10</b>
Friction coefficient ( $\mu$ )	<b>0.4</b>
Max. working pressure (Mpa or N/mm <sup>2</sup> )	<b>18</b>
Total piston area (mm <sup>2</sup> )	<b>6361</b>
Volume for each caliper @ 1 mm stroke (mm <sup>3</sup> )	<b>47515</b>
Max. clamping force (N)	<b>47515</b>
Pressure connection/port	<b>1/4" G BSP</b>