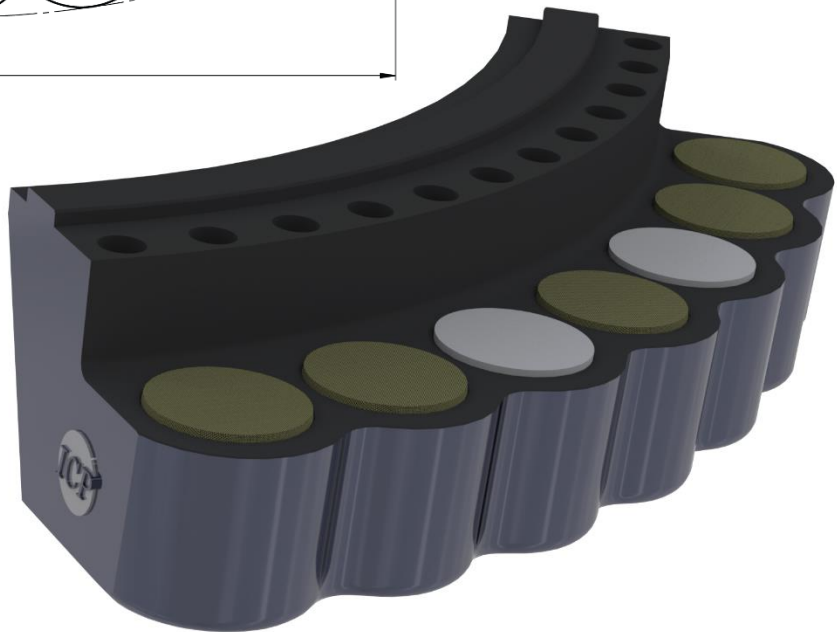
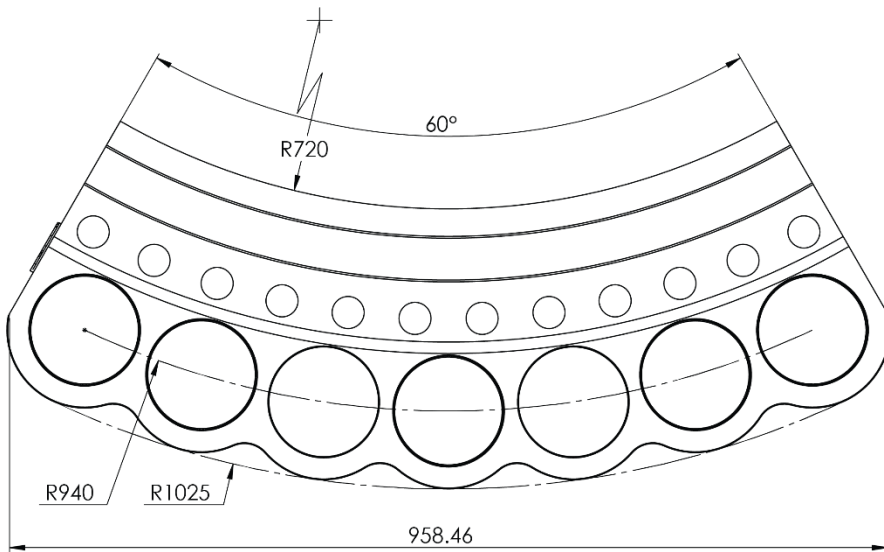
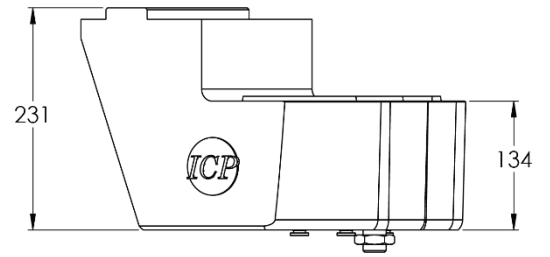
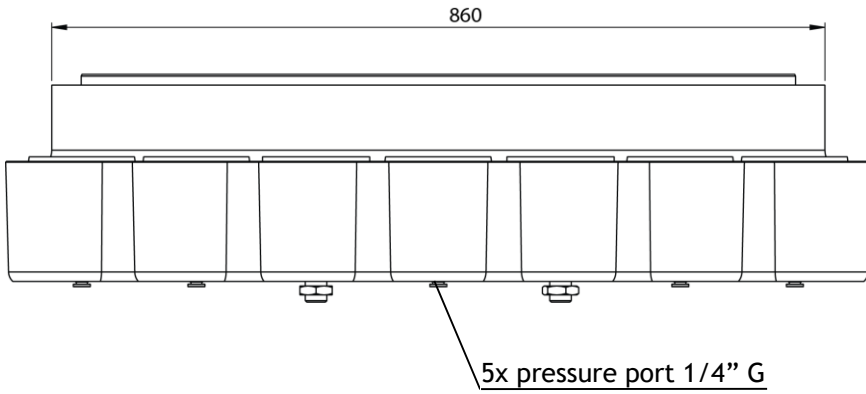


# YAW BRAKE TYPE HHB-5-110

INTERCHANGEABLE WITH GAMESA G-8X WIND TURBINES



# YAW BRAKE TYPE HHB-5-110

INTERCHANGEABLE WITH GAMESA G-8X WIND TURBINES

## Description

HHB-5-110 is a hybrid brake suitable for providing braking force to stop, hold or control yaw movement.

HHB-5-110 is a hybrid design incorporating five hydraulically actuated pistons and two passive spring applied pistons.

## Main features

- Hydraulic applied brake.
- Compact and robust construction and design.
- Easy maintenance.
- Organic asbestos free lining.
- Stainless steel pistons.
- Long service life.
- Protection C4-H, according ISO 12944-2
- Reactive humidity  $\leq 70\%$

|   |            |
|---|------------|
| Operating pressure (Mpa or N/mm <sup>2</sup> )            | 16         |
| Piston Area (mm <sup>2</sup> )                            | 9503       |
| Pad area (mm <sup>2</sup> )                               | 54094      |
| Max. wear of pad (organic)(mm)                            | 10         |
| Friction coefficient ( $\mu$ )                            | 0.4        |
| Max working pressure (Mpa or N/mm <sup>2</sup> )          | 18         |
| Total piston area(mm <sup>2</sup> )                       | 6361       |
| Volume for each caliper at 1 mm stroke (mm <sup>3</sup> ) | 47515      |
| Max. Clamping Force (N)                                   | 47515      |
| Pressure connection/port                                  | 1/4" G BSP |