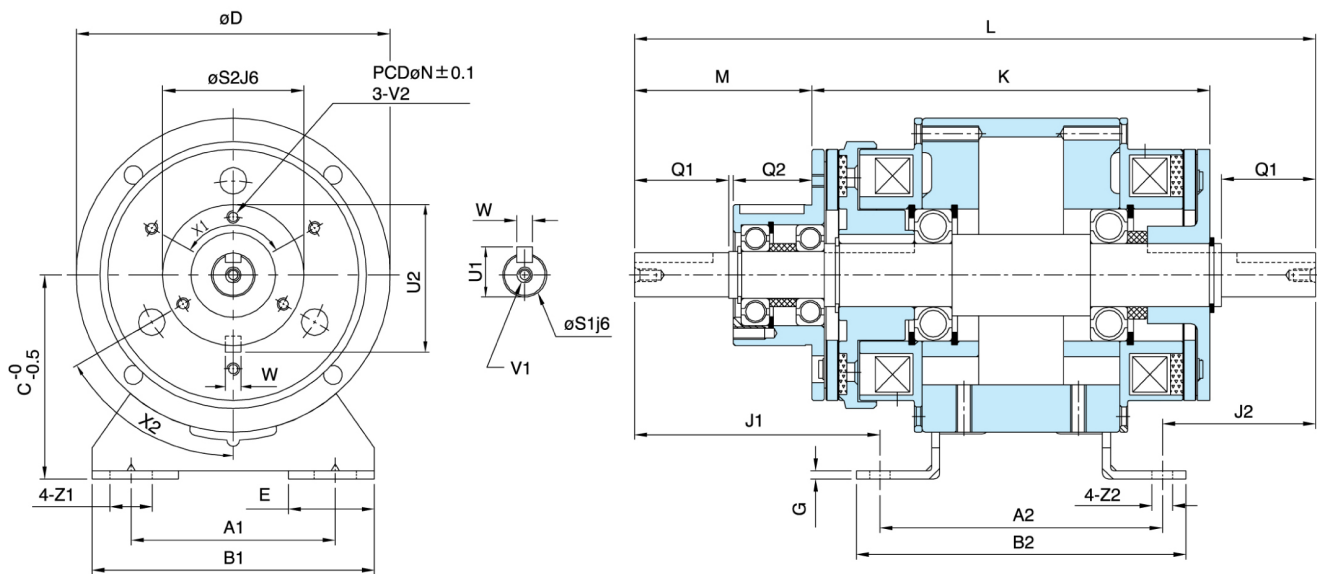


EMC Series Exposed Magnetic Clutch-Brake



Model	EMC0S6AA	EMC1S5AA	EMC2S5AA	EMC005AA	EMC010AA	EMC020AA	EMC040AA	
Static Torque (Nm)	5.5	11	22	45	90	175	350	
Power [24V] (W) @20°C	11	15	20	25	35	45	60	
Suspended Load (kgf)	A	30	45	70	90	140	290	
	B	14	25	45	70	100	260	
Radius	A2	75	90	110	135	160	240	
	B2	95	105	130	160	185.5	270	
	G	10	2.6	3.2	3.2	4.5	6	
	J1	66.25	78.2	98	120.3	149.5	186.7	
	J2	43.15	48.8	62	74.7	89.5	117.3	
	K	105.5	126.9	149.4	182.1	221.5	276.9	
	L	181	217	270	330	399	504	
	M	46.5	56.5	72	92	113	142	
	Q1	25	30	40	50	60	80	
	Q2	20	25	30	40	50	60	
	V1	M4*0.7P*8L		M6*1P*11L			M10*1.5P*17L	
	Z2	6.5	6.5	9	11	11.5	14	14
	Shaft	A1	52	65	80	105	135	195
B1		72	90	110	140	175	240	
C		55	65	80	90	112	160	
D		80	100	125	150	190	290	
E		27.5	27.5	32.5	35	42	47	
N		33	37	47	52	62	74.5	
S1		11	14	19	24	28	42	
S2		38	45	55	64	75	115	
U1		12.5	16	21	27	31	41.5	
U2		39.5	47	57	67	78	93.5	
V2		M4*0.7P*6L		M4*0.7P*8L			M6*1P*12L	
W		4	5		7	10	12	
X1		3-120°			4-90°			8-5°
X2		60°			45°			22.5°
Z1		13.5	13.5	15.5	20	24	28	28
Weight	1.5	2.7	5.5	9.6	18.5	35	64	
Protective Band	470KD07	GD80KD10		GD80KD14				