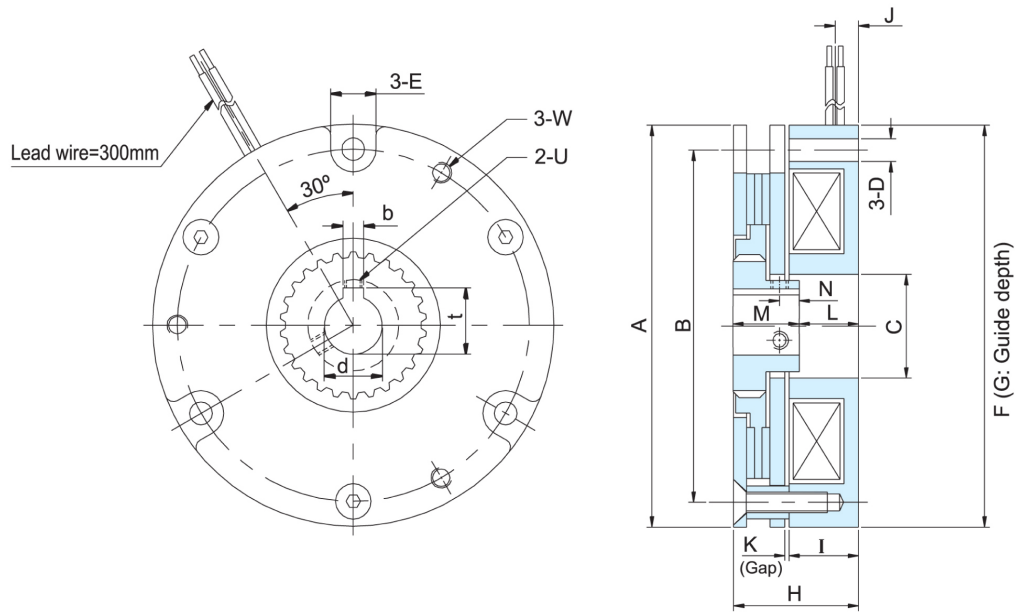


POB Series Power Off Brake



Model	POB0S2AA	POB04AA	POB0W8AA	POB1S6AA	POB003AA	POB005AA	POB010AA	POB020AA	
Static Torque (kg-m)	0.2	0.4	0.8	1.6	3	5	10	20	
Voltage (VDC)	24/90								
Power @24°C (W)	9	12.5	15	18	23	26.5	33	45	
Inertia J (kgcm ²)	0.09	0.16	0.29	0.84	0.87	3.84	13	21	
Radial	A	77	85	97	117	125	145	165	187
	B	68	74	85	106	112	130	150	170
	C	20	20	25	40	49	49	62	62
	D	4.5	5.5	5.5	5.5	6.5	6.5	9	9
	E	10	11	11	11	14	14.3	18	18
	F _{h9}	77	85	97	117	125	145	165	187
Axial	G	3	4	4	4	4	5	5	6
	H	25	27.5	29.4	34.3	45.6	48	60	70
	I	15	16	16.8	19.5	26	27	32	38
	J	6.5	7	7.5	8	9	10	17	22
	K	0.1~0.2	0.1~0.2	0.1~0.2	0.1~0.2	0.1~0.3	0.1~0.3	0.1~0.3	0.1~0.3
	L	17.4	15.6	13.6	15.5	21.5	23.4	22	21
	M	8	12	16	20	25	25	30	40
Screws	U	-	-	M4*P0.7	M5*P0.8	M6*P1.0	M6*P1.0	M6*P1.0	M6*P1.0
	W	-	-	-	-	M5*P0.8	M5*P0.8	M6*P1.0	M6*P1.0
Bore	Ød _{H7}	12	12	14	19	19	24	28	32
Keyway	B _{E9}	4	4	5	5	5	7	7	10
	t	13.5	13.5	16	21	21	27	31	35.5
Weight (kg)	0.6	0.8	1.1	1.8	2.8	3.8	5	12.2	