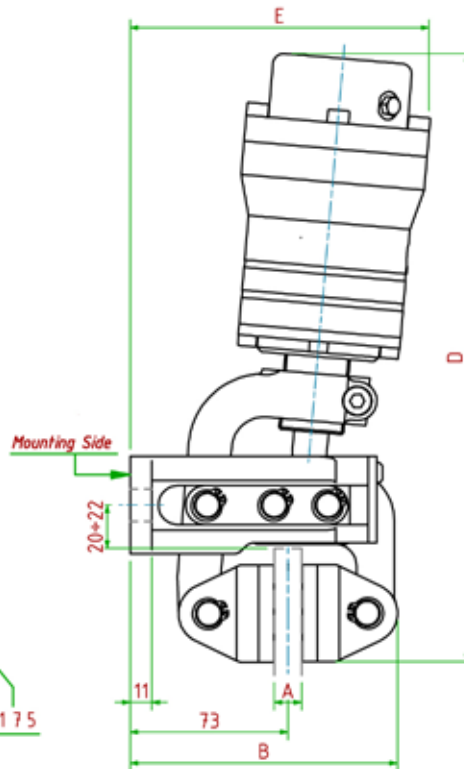
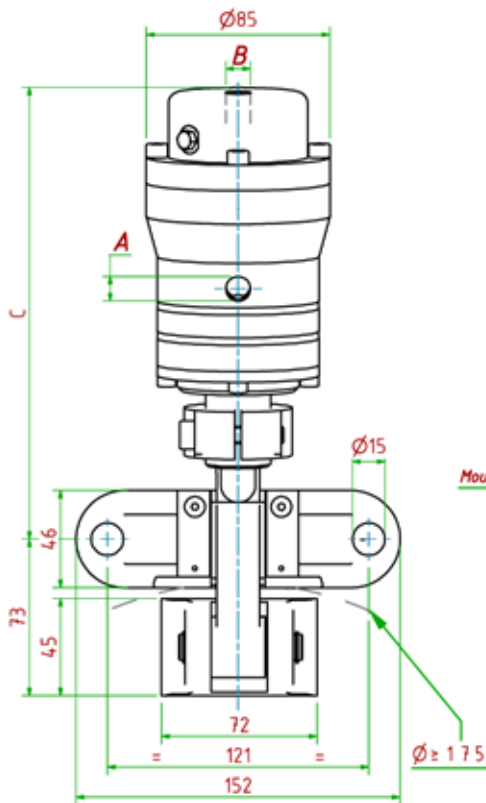


Duo Caliper Brake

Pneumatically Applied



CBD 5



Pneumatically Applied

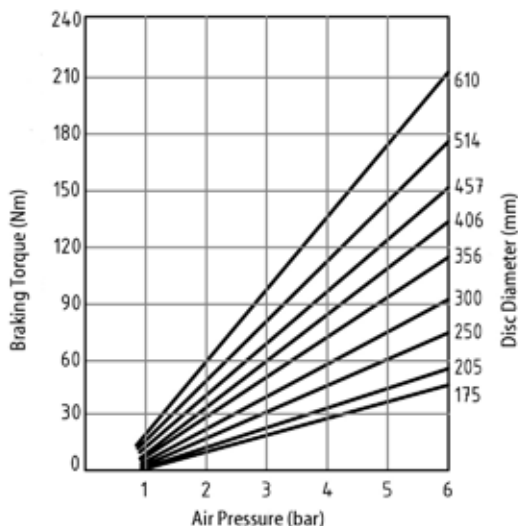
Operating Pressure: $P_l = 6\text{bar}$
 Pneumatic Cylinder Supply: A: 1/4" Gas
 Max Cylinder Volume: 27cm^3
 Braking Torque: $M_d = [F_{tx}(\Phi(m)/2 - 0.029(m))]$

Pneumatically Released

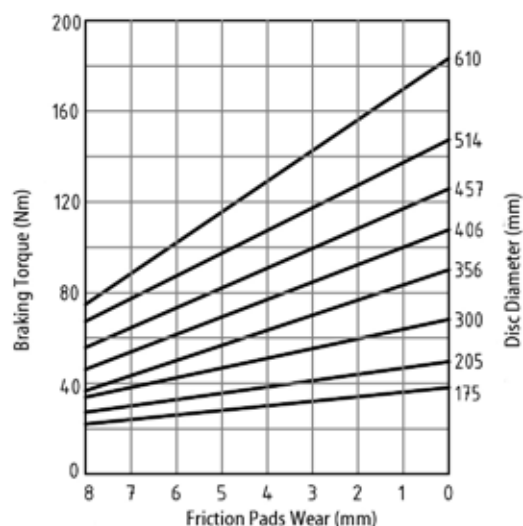
Operating Pressure: $P_a = 6\text{bar}$
 Pneumatic Cylinder Supply: B: 1/4" Gas
 Max Cylinder Volume: 32cm^3
 Maximum total wear of pads = 9mm

MODEL	CODE	A	B	C	D Max	E Max	Braking Force	Weight
CBD 5/12	051050601	12.7	124	217	290	134	$F_{t\text{pos}} = 770\text{N}$ $F_{t\text{neg}} = 640\text{N}$	5.4kg
CBD 5/25	051050602	25.4	130	217	290	136	$F_{t\text{pos}} = 770\text{N}$ $F_{t\text{neg}} = 640\text{N}$	5.5kg

Caliper Brake Air Applied



Caliper Brake Spring Applied



Warning: Initial Braking Torque can be from 30% - 50% less than nominal torque until the friction pad works correctly on the disc surface.