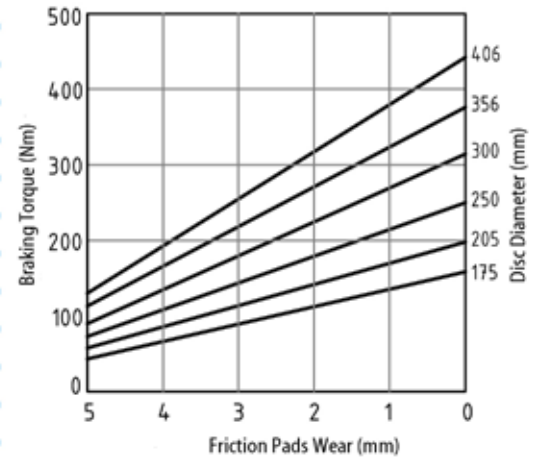
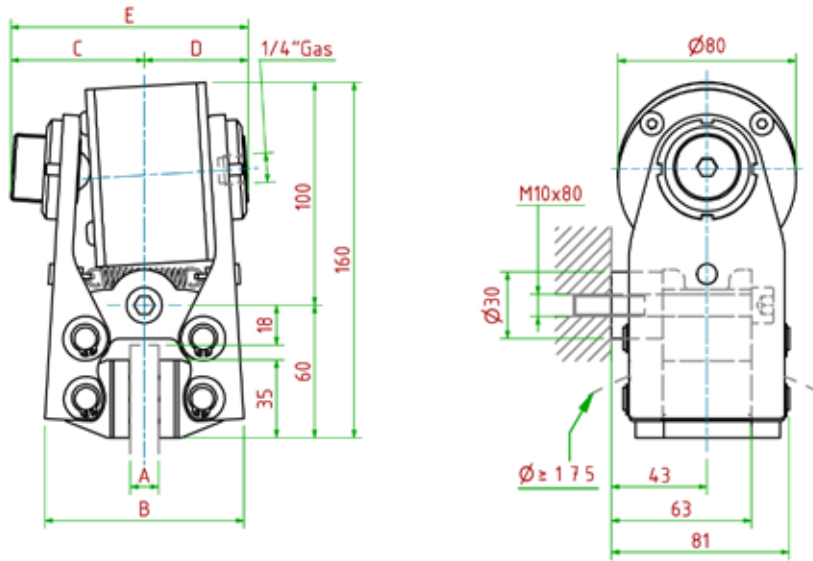


Caliper Brake

Pneumatically Released



CBS 42

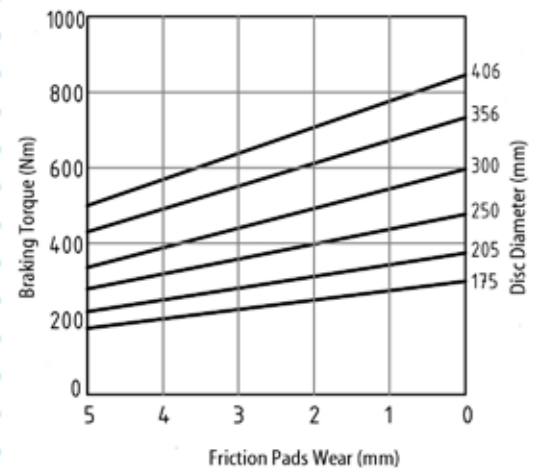
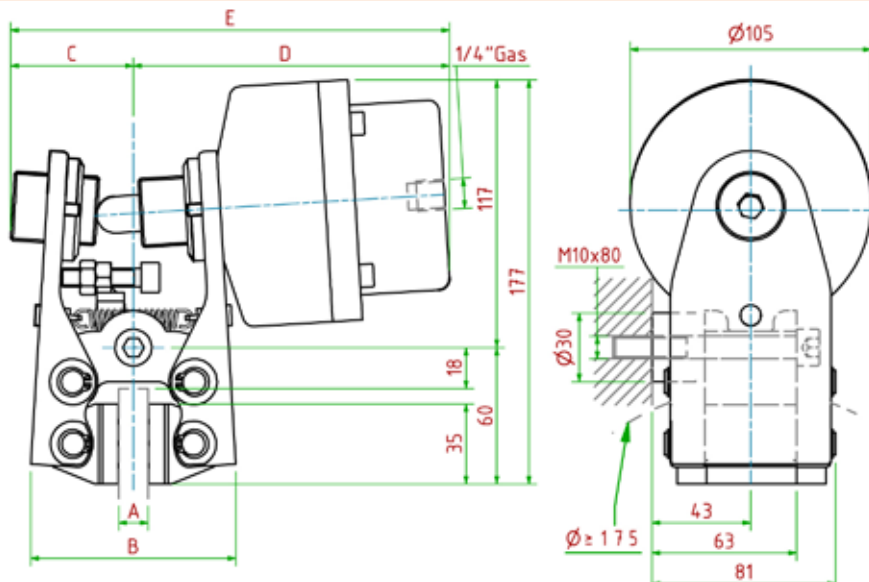


Release Pressure: $P_a = 6\text{bar}$ Max Cylinder Volume: 35cm^3
 Braking Torque: $M_d = [F_t x (\Phi(m)/2 - 0.024(m))]$ **Warning: Initial Braking Torque can be reduced by 30%-50%**
 Maximum total wear of pads = 7mm

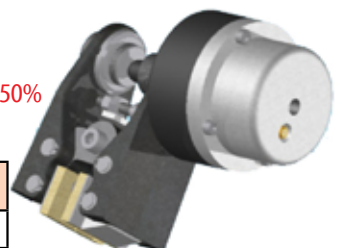


MODEL	CODE	A	B	C	D Max	E Max	Braking Force	Weight
CBS 42/08	051042301	8	86	60	55	115	$F_t = 2500\text{N}$	3.4kg
CBS 42/12	051042302	12.7	90	60	56	116	$F_t = 2500\text{N}$	3.5kg
CBS 42/25	051042303	25.4	102	60	63	123	$F_t = 2500\text{N}$	3.6kg

CBS 43



Release Pressure: $P_a = 6\text{bar}$ Max Cylinder Volume: 75cm^3
 Braking Torque: $M_d = [F_t x (\Phi(m)/2 - 0.024(m))]$ **Warning: Initial Braking Torque can be reduced by 30%-50%**
 Maximum total wear of pads = 7mm



MODEL	CODE	A	B	C	D Max	E Max	Braking Force	Weight
CBS 43/08	051043301	8	86	54	138	192	$F_t = 4700\text{N}$	5.2kg
CBS 43/12	051043302	12.7	90	54	138	192	$F_t = 4700\text{N}$	5.3kg
CBS 43/25	051043303	25.4	102	60	147	201	$F_t = 4700\text{N}$	5.4kg