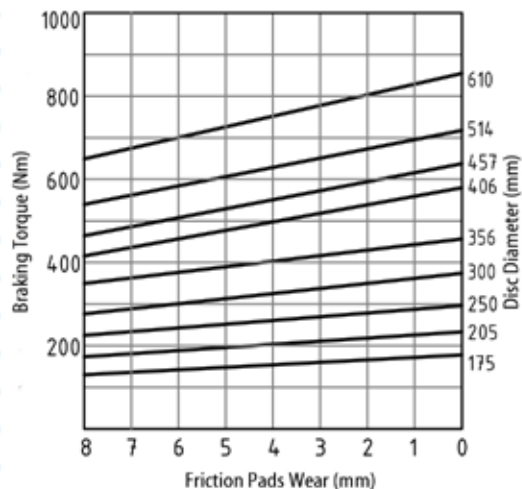
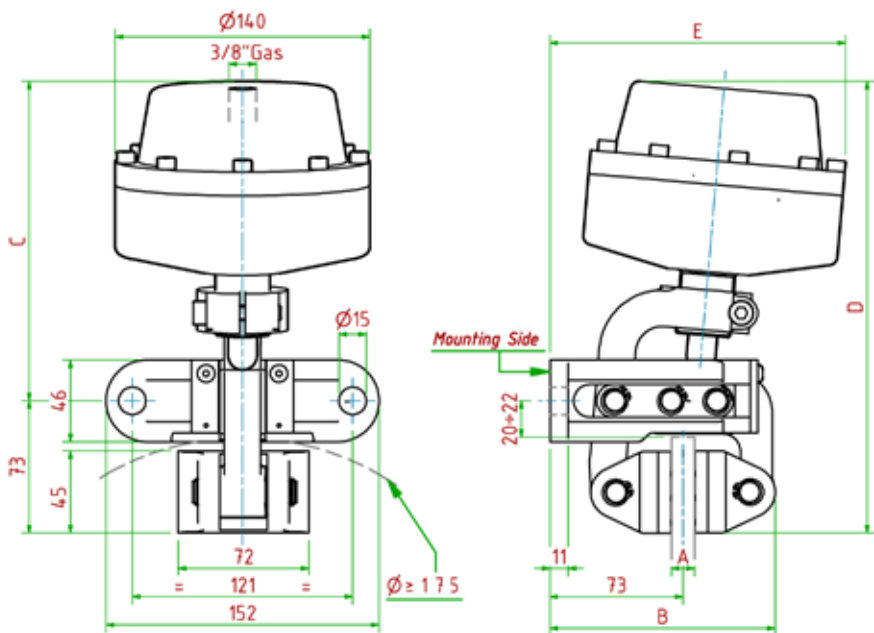


Caliper Brake

Pneumatically Released



CBS 52



Release Pressure: $P_a = 6\text{bar}$

Max Cylinder Volume: 160cm^3

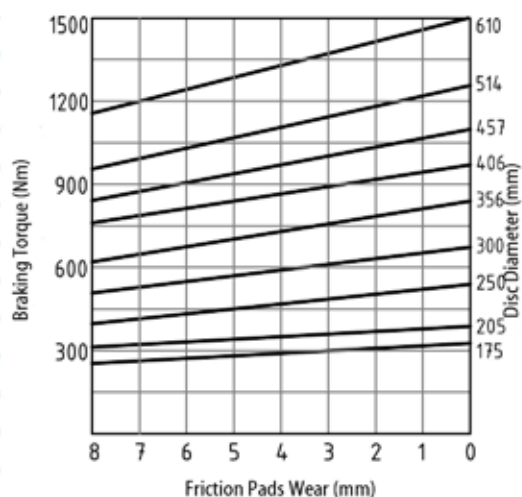
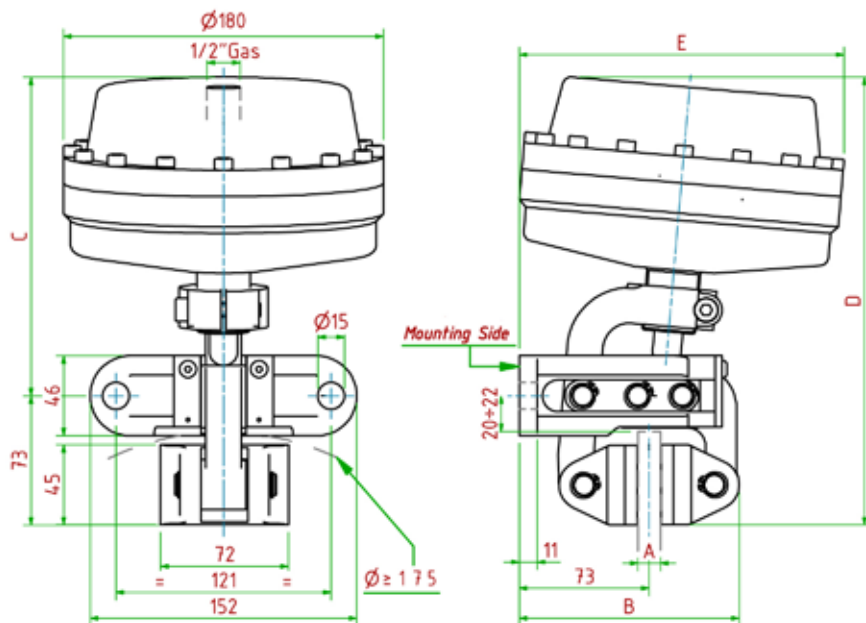
Braking Torque: $M_d = [F_{tx}(\Phi(m)/2 - 0.029(m))]$ **Warning: Initial Braking Torque can be reduced by 30%-50%**

Maximum total wear of pads = 9mm

MODEL	CODE	A	B	C	D Max	E Max	Braking Force	Weight
CBS 52/12	051052301	12.7	124	177	250	156	$F_t = 3100\text{N}$	7.8kg
CBS 52/25	051052302	25.4	130	177	250	159	$F_t = 3100\text{N}$	7.9kg



CBS 53



Release Pressure: $P_a = 6\text{bar}$

Max Cylinder Volume: 285cm^3

Braking Torque: $M_d = [F_{tx}(\Phi(m)/2 - 0.029(m))]$ **Warning: Initial Braking Torque can be reduced by 30%-50%**

Maximum total wear of pads = 9mm

MODEL	CODE	A	B	C	D Max	E Max	Braking Force	Weight
CBS 53/12	051053301	12.7	124	182	255	182	$F_t = 5500\text{N}$	10.3kg
CBS 53/25	051053302	25.4	130	182	255	182	$F_t = 5500\text{N}$	10.4kg

