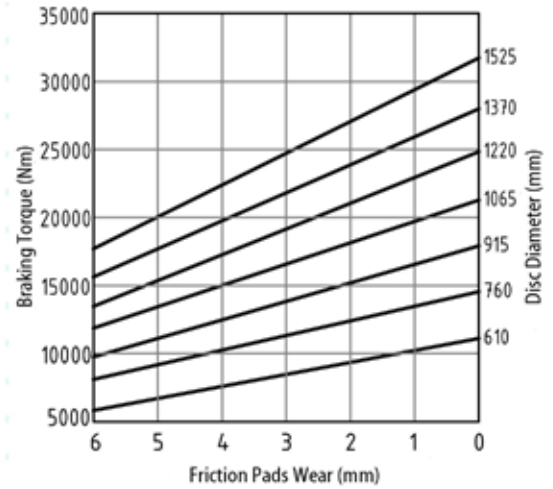
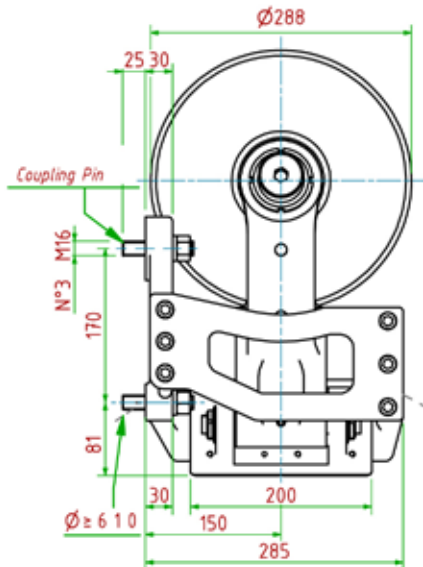
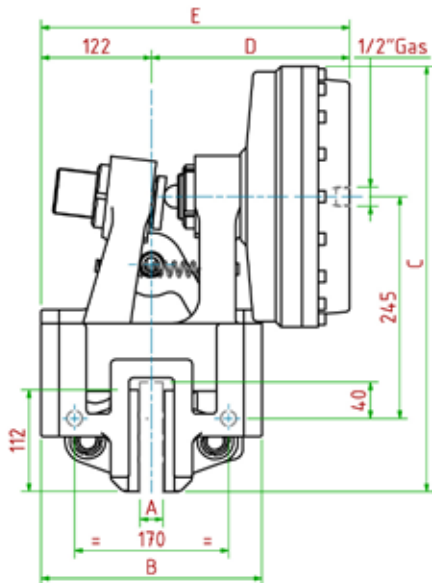


# Caliper Brake

## Pneumatically Released



### CBS 92



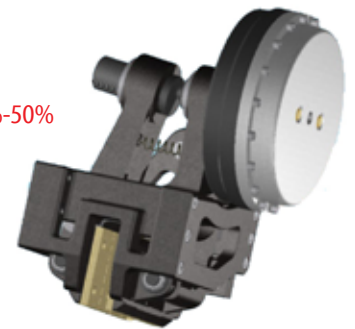
Release Pressure: Pa = 6bar

Max Cylinder Volume: 1000cm<sup>3</sup>

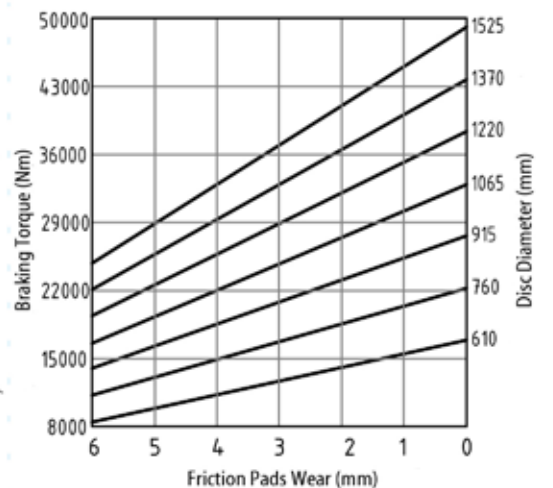
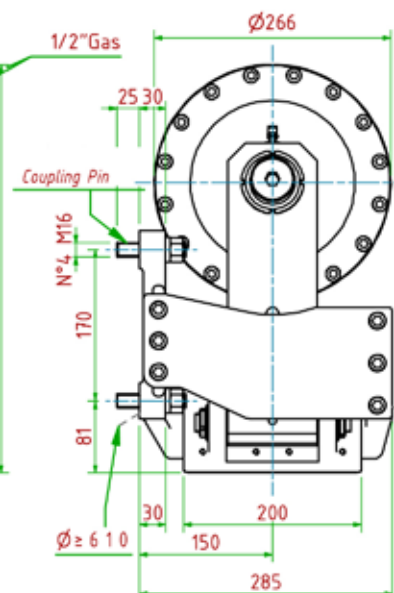
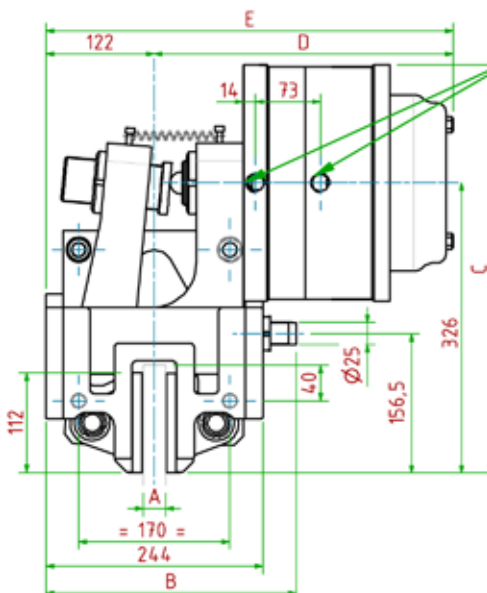
Braking Torque: Md = [Ftx(Φ(m)/2-0.065(m))] **Warning: Initial Braking Torque can be reduced by 30%-50%**

Maximum total wear of pads = 12mm

MODEL	CODE	A	B	C	D Max	E Max	Braking Force	Weight
CBS 92/25	051092301	25.4	282	470	219	341	Ft = 45500N	80.7kg
CBS 92/30	051092302	30	282	470	219	341	Ft = 45500N	80.7kg
CBS 92/40	051092303	40	287	470	224	346	Ft = 45500N	80.7kg



### CBS 93



Release Pressure: Pa = 6bar

Max Cylinder Volume: 1662cm<sup>3</sup>

Braking Torque: Md = [Ftx(Φ(m)/2-0.065(m))] **Warning: Initial Braking Torque can be reduced by 30%-50%**

Maximum total wear of pads = 12mm

MODEL	CODE	A	B	C	D Max	E Max	Braking Force	Weight
CBS 93/25	051093301	25.4	282	459	336	458	Ft = 70500N	122kg
CBS 93/30	051093302	30	282	459	336	458	Ft = 70500N	122kg
CBS 93/40	051093303	40	287	459	341	463	Ft = 70500N	122kg

