



GIUNTI ROTOFLEXI TIPO "R / LR"
 ROTOFLEXI COUPLING TYPE "R / LR"

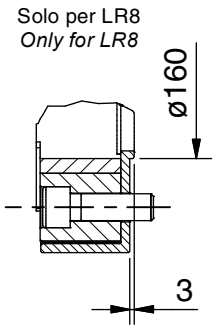
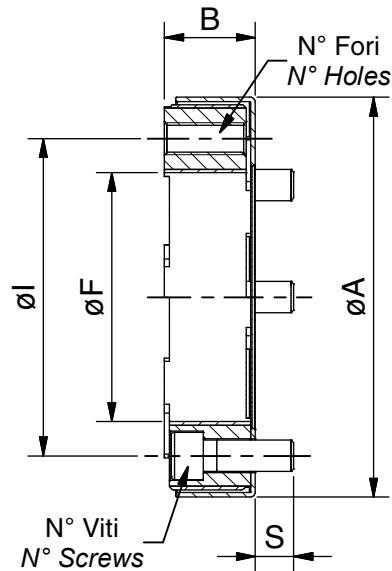
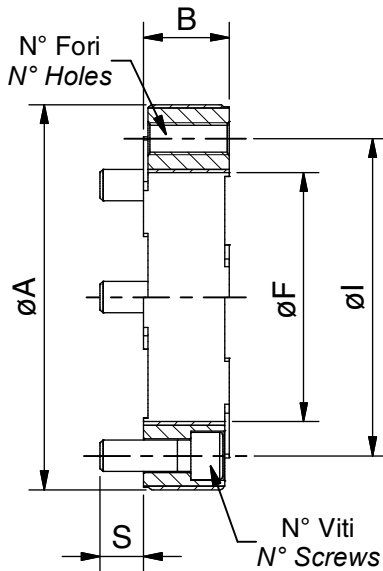
Foglio / Sheet
 75-008
 Data / Date
 22-03-2004



Tipo "R"
 Type "R"



Tipo "LR"
 Type "LR"



Dimensioni mm Dimensions mm

Grand Size	Tipo Type	Coppia Torque Nm	n°Max giri/1' r.p.m.	øA	B	øF	øI	S	Fori Holes N°	Ø	Viti Screws N°	Ø	Peso Weight Kg.	Inerzia Inertia Kgm2
1	R1	25	6500	80	18	45	60	10	3	M8	3	M6x20	0.1	0.0001
	LR1			84	20			8					0.2	0.0003
2	R2	65	5500	100	22	52	78	14	3	M8	3	M8x25	0.3	0.0005
	LR2			104	24			12					0.5	0.0009
3	R3	175	5000	126	30	72	100	13.5	4	M10	4	M10x30	0.6	0.0016
	LR3			130	32			16.5				M10x35	0.9	0.0026
4	R4	330	4000	153	34	95	125	16	4	M12	4	M12x35	1	0.0039
	LR4			158	36			19				M12x40	1.4	0.0061
5	R5	440	3500	170	38	110	140	19	4	M14	4	M14x40	1.3	0.0068
	LR5			176	40			22				M14x45	1.8	0.0101
6	R6	630	3000	190	42	125	160	20.5	4	M14	4	M14x45	1.6	0.0106
	LR6			195	44			23.5				M14x50	2.3	0.0158
7	R7	1160	2500	232	48	150	195	21.2	4	M16	4	M16x50	3.2	0.0311
	LR7			236	50			24.2				M16x55	4.1	0.0413
8	R8	2000	2000	271	56	160	225	26.5	4	M18	4	M18x60	6.3	0.0803
	LR8			285	62			25.5				M18x65	10.7	0.1505