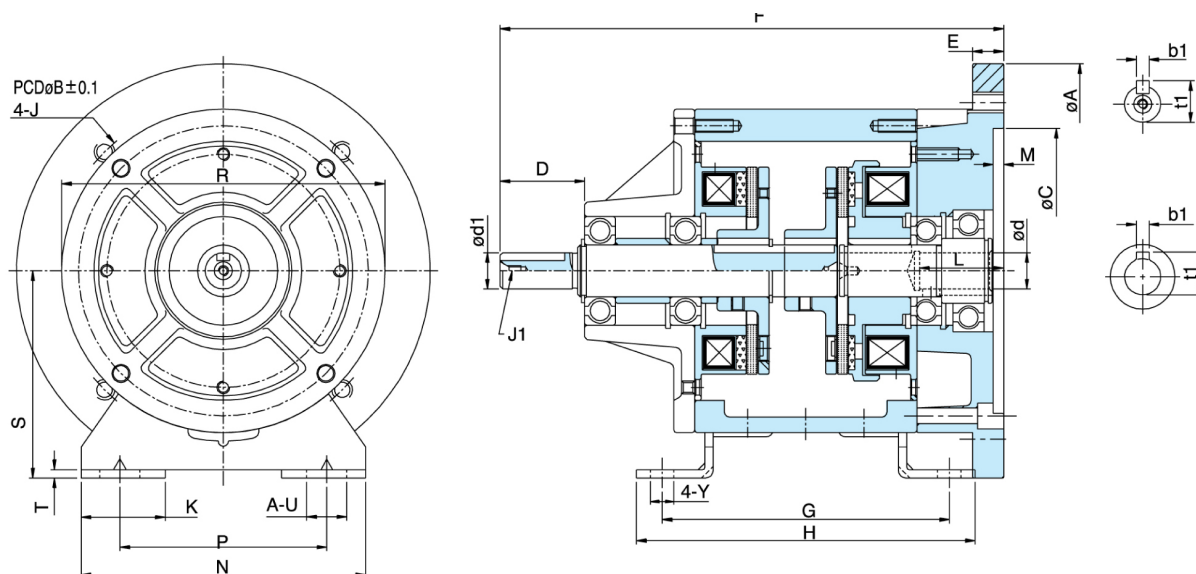


# SFM Series Single-Flange Magnetic Clutch-Brake



Model	SFM0S6AA	SFM1S5AA	SFM2S5AA	SFM005AA	SFM010AA	SFM020AA	
Static Torque (Nm)	5.5	11	22	45	90	175	
Dynamic Torque (Nm)	5.0	10	20	40	80	160	
Power [24V] (W) @20°C	11	15	20	25	35	45	
Radius	A	160	160	200	200	250	300
	B	130	130	165	165	215	265
	C	110	110	130	130	180	230
	J	M8		M10	M12		
	J1	M4*0.7P*8L		M6*1P*11L			M10*1.5P*17L
	R	100	125	150	190	230	290
	S	65	80	90	112	132	160
	T	2.6	3.2	3.2	4.5	6	20
	d	11	14	19	24	28	38
	d1	11	14	19	24	28	38
	D	27.5	32.7	426	52.95	64.1	84
	E	12		15.5	14	12.5	17
	Shaft	F	160.5	194.7	234.6	310.5	389.1
G		90	110	135	57.5	200	240
H		105	130	160	183	230	270
K		27.5	32.5	35	42	45	47
L		29	32.5	41.2	54.25	71.25	85
M		3.5	4	4	4	4.5	6
N		90	110	140	175	200	240
P		65	80	105	135	155	195
U		13.5	15.5	20	24	28	28
Y		6.5	9	11	11.5	14	
Z		47.5	62.7	80	109.2	145.1	188
b		4	5	6	8		10
t		13	16.5	22	27.5	32	41.8
b1		4	5	5	7		10
t1		12.5	16	21	27	31	41.5
Weight (kg)	2.6	5	9	15	25	48	
Protective Band	470KD07	GD80KD10		GD80KD14			