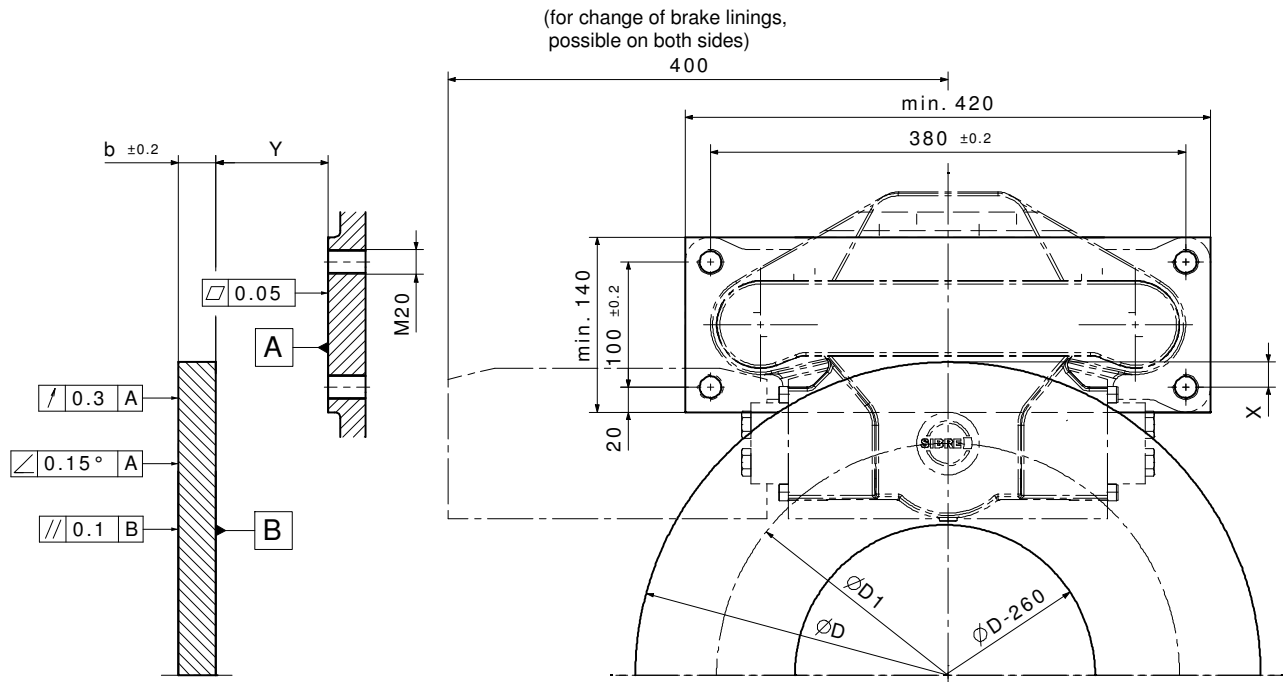






## Mounting

$$Y = 90 \pm 12$$



ØD	ØD1	X
$500 \leq \text{ØD} < 1500$	$\text{ØD1} = \text{ØD} - 130$	20
$1500 \leq \text{ØD} < 1600$	$\text{ØD1} = \text{ØD} - 126$	18
$1600 \leq \text{ØD} < 2000$	$\text{ØD1} = \text{ØD} - 120$	15
$2000 \leq \text{ØD} < 4000$	$\text{ØD1} = \text{ØD} - 110$	10

## Calculation of Braking Torque

$$M_{Br} = F_{Br} \cdot \frac{D_1}{2} = 2 \cdot A_p \cdot p \cdot \mu \cdot \frac{D_1}{2} = A_p \cdot p \cdot \mu \cdot D_1$$