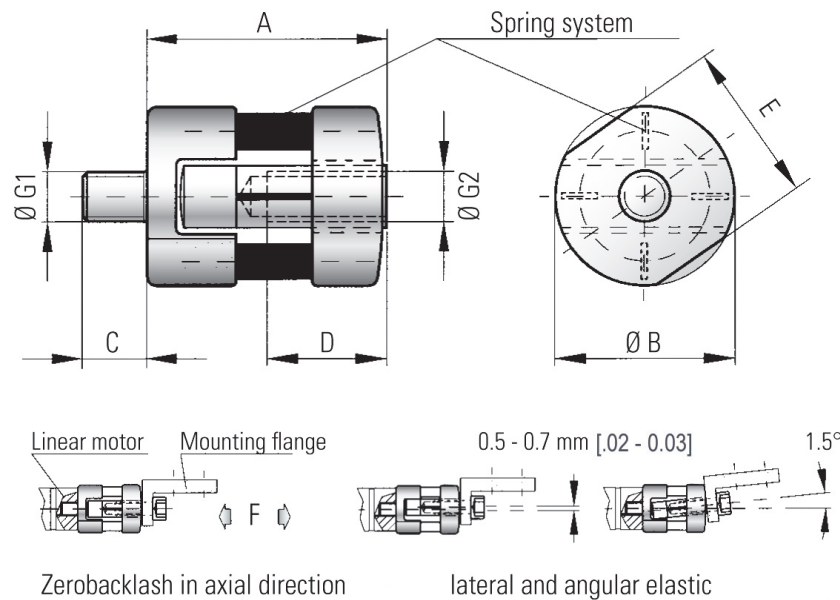




## Dimensions



## Product Specifications

### Material:

Coupling components are made of high-strength aluminum. Spring elements are made of a special spring steel.

### Structure:

**Input Side:** Internal Metric Thread

**Output Side:** External Metric Thread

The connection between the input and output side of the coupling is via two sets of backlash free leaf-springs systems.

### Temperature Range:

-30 to +120° C [ 3.6 to 270° F ]

### Backlash:

Absolutely backlash free

### Brief Overloads:

Accepts up to 1.5 times the rated value.

### Service Life:

These couplings have an infinite life and are maintenance free if operated within performance limits.

## Mounting Instructions

- Mounting "Wrench flats" have been machined into the coupling hubs to aid in mounting and dismounting the coupling.
- While mounting, be careful not to damage the leaf spring.

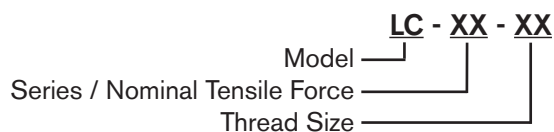
### CAUTION

Do not exceed the tightening torque during mounting.

### WARNING

The maximum lateral and angular misalignment values must not be exceeded.

## Model Nomenclature



Model - LC			Series					
			70	150	300	500	800	2000
Pressure Force	N [lbs]	F	70 [16]	150 [34]	300 [68]	500 [112]	800 [180]	2000 [450]
Overall Length	mm [in]	A	24 [.94]	33 [1.30]	41,5 [1.63]	52 [2.05]	62 [2.44]	93 [3.66]
Outer Diameter	mm [in]	B	18 [.71]	22 [.87]	30 [1.18]	42 [1.65]	50 [1.97]	72 [2.83]
Outer Diameter of Thread		G <sub>1</sub> G <sub>2</sub>	M5	M6	M8	M10	M12	M16
Max Tightening Torque (Thread)	Nm [ft-lbs]		4 [3]	7 [5]	18 [13]	30 [22]	60 [4.4]	170 [125]
Thread Length	mm [in]	C	6,5 [.26]	8 [.31]	10 [.39]	13 [.51]	18 [.71]	24 [.94]
Thread Length	mm [in]	D	10 [.39]	12 [.47]	16 [.63]	20 [.79]	24 [.94]	32 [1.26]
Key Width	mm [in]	E	16 [.63]	20 [.79]	27 [1.06]	38 [1.50]	46 [1.81]	60 [2.36]
Weight (Approx.)	g [oz]		11 [.4]	23 [.80]	57 [2.24]	135 [4.8]	236 [8.3]	580 [20.5]
Lateral Restoring Force	N [lbs]	Max. Values	10 [2.2]	18 [4.0]	48 [10.8]	96 [22.4]	122 [27.4]	180 [40.5]
Lateral	mm [in]		0,5 [.019]	0,5 [.019]	0,5 [.019]	0,7 [.028]	0,7 [.028]	0,7 [.028]
Angular			1.5°	1.5°	1.5°	1.5°	1.5°	1.5°
Product Number			976910	976920	976930	976940	976950	976960

In accordance with Nexen's established policy of constant product improvement, the specifications contained in this document are subject to change without notice. Technical data listed in this document are based on the latest information available at the time of printing and are also subject to change without notice. For current information, please consult [www.nexengroup.com](http://www.nexengroup.com)

**nexen**®