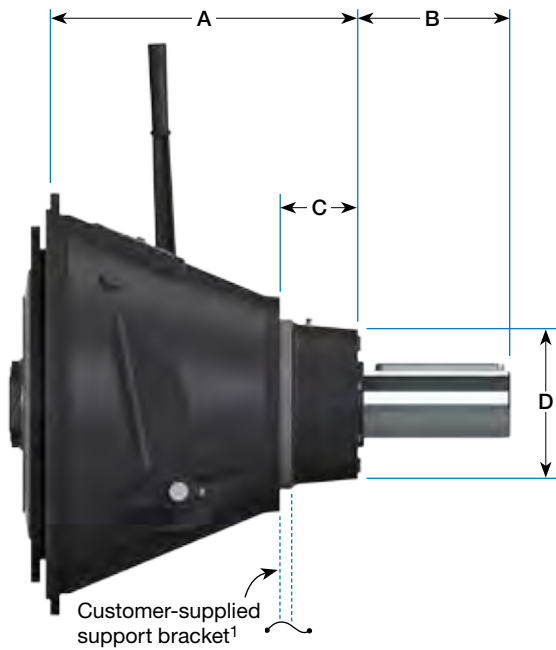


# Pilotless Mechanical Power Take-off



Industrial engine applications are more demanding than ever. Customers need a solution rugged enough to meet those demands and WPT Power has engineered that solution with the *WPT Pilotless Mechanical Power Take-off*. This design eliminates the pilot bearing and increases side load capacity over previous generations of PTO products. The WPT Pilotless Mechanical Power Take-off will optimize your cost by reducing inventory, increasing uptime and engine life, and simplifying installation time.



- Dual spherical roller main bearing design.
- Time savings for assembly due to no pilot bearing alignment required.
- Most sizes fit within envelope of previous design.
- No direct loading to engine crankshaft increases life of engine bearings.
- No installation related engine thrust bearing damage.
- 100% equipped with ball-bearing engagement collars.
- Increased side load capacity

Model	SAE Housings	A	Output Shaft			C	D	Weight lb (kg)	# of Teeth
			B	Dia	Keyway				
WPL 106	5, 4	8.45 (214.6)	2.18 (55.4)	1.438 (36.53)	3/8 x 3/16 (9.5 x 4.8)	2.47 (62.7)	4.44 (112.8)	72 (33)	42
WPL 107	5, 4	8.45 (214.6)	2.18 (55.4)	1.438 (36.53)	3/8 x 3/16 (9.5 x 4.8)	2.47 (62.7)	4.44 (112.8)	75 (134)	47
WPL 108	4	8.4 (213.4)	4.66 (118.4)	1.750 (44.45)	1/2 x 1/4 (12.7 x 6.4)	3.02 (76.7)	4.84 (122.9)	88 (40)	51
WPL 110	4, 3	9.78 (248.4)	3.94 (100.1)	2.250 (57.15)	5/8 x 5/16 (15.9 x 7.9)	3.52 (89.4)	5.75 (146.1)	125 (57)	63
WPL 111	3	11.48 (291.7)	4.04 (102.6)	2.250 (57.15)	5/8 x 5/16 (15.9 x 7.9)	11.13 (282.7)	5.75 (146.1)	162 (73)	72
WPL 211	3, 2	12.60 (320.0)	3.64 (92.5)	2.500 (63.50)	5/8 x 5/16 (15.9 x 7.9)	4.25 (108.0)	6.75 (171.5)	218 (99)	72
WPL 311 <sup>1</sup>	3, 2	15.78 (400.8)	8.03 (204.0)	3.500 (88.90)	7/8 x 7/16 (22.2 x 11.1)	3.71 (94.2)	7.75 (196.9)	343 (156)	72
WPL 114	1	13.63 (346.2)	5.14 (130.6)	3.000 (76.20)	3/4 x 3/8 (19.1 x 9.5)	3.75 (95.2)	6.75 (171.5)	275 (125)	59
WPL 214 <sup>1</sup>	1, 0	16.20 (411.5)	7.55 (191.8)	3.500 (88.90)	7/8 x 7/16 (22.2 x 11.1)	4.34 (110.2)	7.75 (196.9)	407 (185)	59
WPL 314 <sup>1</sup>	1, 0	17.05 (433.1)	7.50 (190.5)	3.938 (100.01)	1 x 1/2 (25.4 x 12.7)	3.92 (99.6)	8.25 (209.6)	470 (213)	59

<sup>1</sup> Support plate for 311, 214, 314 is required for sideload applications and recommended for inline applications.