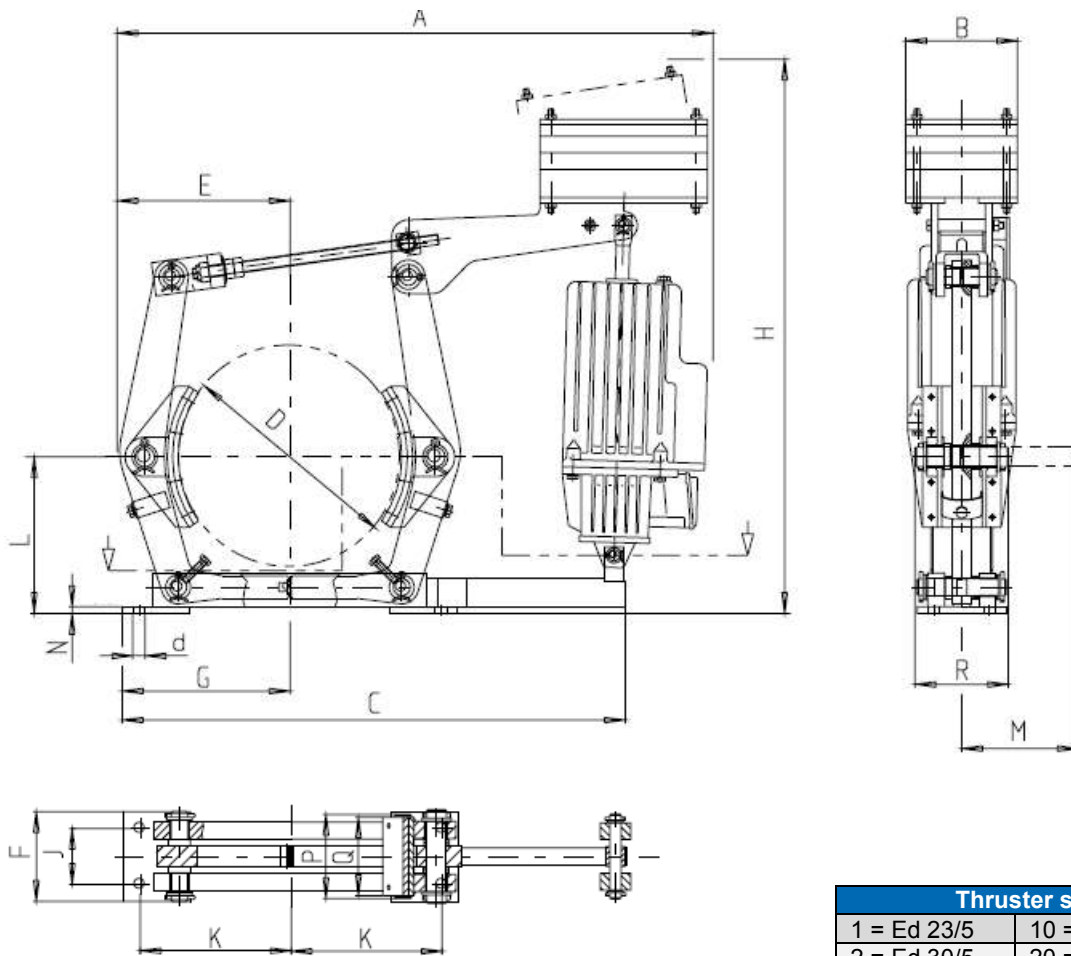


The TE series drum brakes shown here have been developed using state of the art industrial brake technology according to DIN 15435.

This robust model was particularly designed for use in general engineering, metallurgy, crane and conveyor plants, for use both underground and above ground, as well as in wind turbine plants.

These brakes are for use whenever a constant brake torque is of utmost importance, not only for reasons of safety but also from a commercial standpoint.



Thruster sizes	
1 = Ed 23/5	10 = EB 220-50
2 = Ed 30/5	20 = EB 300-50
3 = Ed 50/12	30 = EB 500-120
4 = Ed 80/12	40 = EB 800-120
5 = Ed 121/12	50 = EB 1250-120
6 = Ed 201/12	60 = EB 2000-120
7 = Ed 301/12	70 = EB 3000-120

**When ordering please advice:**

- Brake type and thruster e.g. SBG 200/23/5
- power supply voltage for thruster
- options

Brake type	Thruster size	Torque Range in Nm at $\mu = 4$	A	B	C	D	E	F	G	H	J	K	L	M	N	P	Q	R	d	kg*
SBG 200	1 / 10	50 - 300	650	160	515	200	170	90	160	620	55	145	160	115	10	75	70	96	14	45
	2 / 20	85 - 400	650	160						660										50
SBG 250	1 / 10	40 - 325	750	160	625	250	210	110	200	680	65	180	190	133	10	95	90	113	18	57
	2 / 20	40 - 450	750	160						710										62
	3 / 30	100 - 850	785	195						835										82
SBG 315	1 / 10	70 - 420	880	160	735	315	260	125	240	770	80	220	230	160	10	118	110	135	18	66
	2 / 20	70 - 550	880	160						800										73
	3 / 30	75 - 1050	880	195						830										93
	4 / 40	90 - 1700	880	195						920										123
SBG 400	2 / 20	80 - 575	965	195	900	400	310	160	300	900	100	270	280	199	12	150	140	167	22	103
	3 / 30	100 - 1100	1005	195						940										123
	4 / 40	100 - 1800	1005	195						1000										153
	5 / 50	125 - 2750	1040	240						1050										195
SBG 500	3 / 30	200 - 1400	1185	220	1025	500	385	190	355	1040	130	325	340	242	13	190	180	202	22	173
	4 / 40	200 - 2200	1185	220						1090										203
	5 / 50	200 - 3400	1175	240						1180										243
	6 / 60	200 - 5400	1175	300						1230										323
SBG 630	5 / 50	500 - 3300	1330	240	1190	630	465	250	440	1300	170	400	420	295	15	236	225	244	27	347
	6 / 60	500 - 5500	1330	300						1350										427
	7 / 70	500 - 8200	1375	350						1350										527
SBG 710	5 / 50	500 - 3800	1465	240	1302	710	525	270	490	1400	190	450	470	332	15	265	255	276	27	380
	6 / 60	500 - 6300	1465	300						1450										460
	7 / 70	500 - 9400	1540	350						1450										560