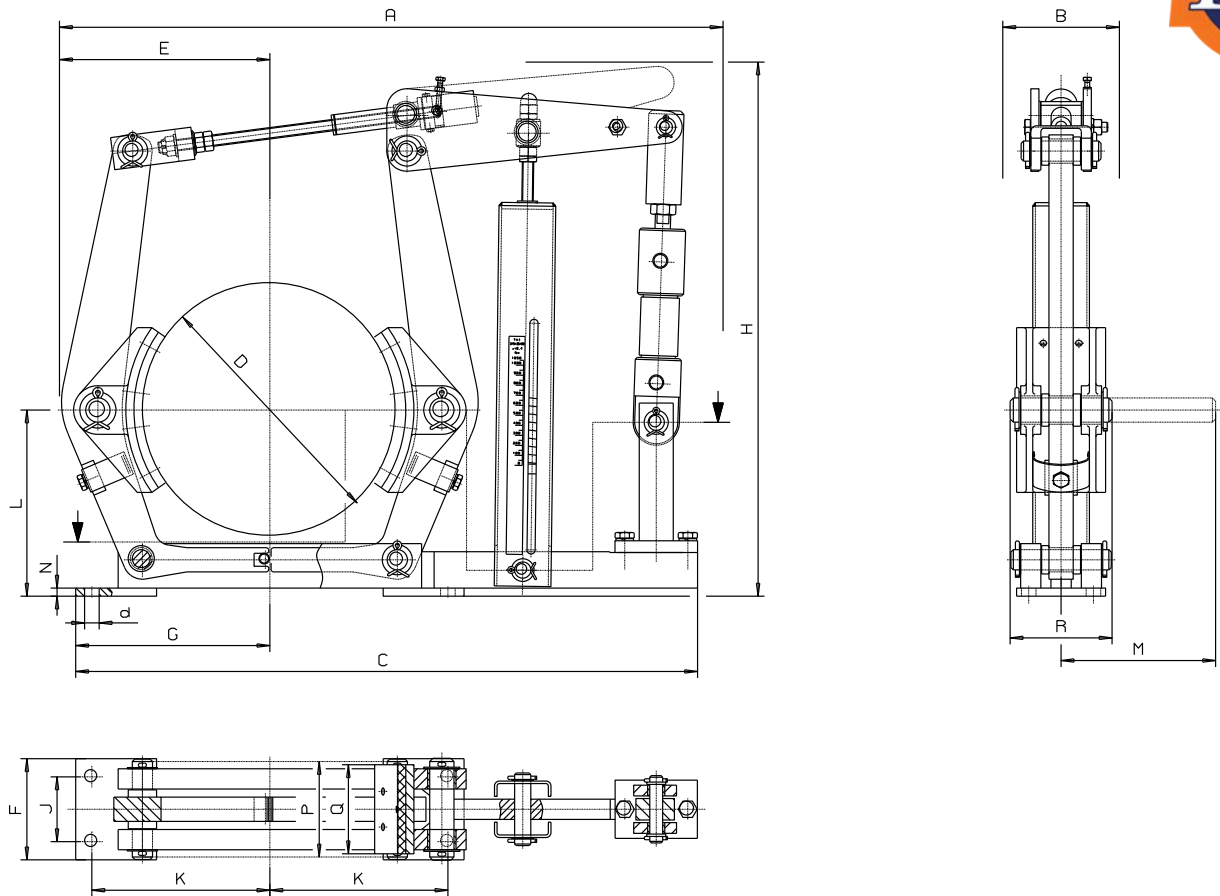


The TE series drum brakes shown here have been developed using state of the art industrial brake technology according to DIN 15435.

This robust model was particularly designed for use in general engineering, metallurgy, crane and conveyor plants, for use both underground and above ground, as well as in wind turbine plants.

These brakes are for use whenever a constant brake torque is of utmost importance, not only for reasons of safety but also from a commercial standpoint.



When ordering please advice:

- Brake type and brake torque e.g. THi 200-50-300
- with or without wear compensation
- options

Necessary volume flow: 8 l / min.

Brake type	Requested pressure (bar)	Mbr. (Nm) torque $\mu = 0,4$	A	B	C	D	E	F	G	H	J	K	L	M	N	P	Q	R	d	kg*
THi 200	6	50 - 300	535	95	515	200	170	90	160	475	55	145	160	115	10	75	70	96	14	19
	10	85 - 400	540	95						475										
THi 250	6	40 - 325	660	110	625	250	210	110	200	550	65	180	190	133	10	95	90	113	18	30
	10	40 - 450	660	110						550										
	15	100 - 850	665	110						560										
THi 315	6	70 - 420	780	130	735	315	260	125	240	650	80	220	230	160	10	118	110	135	18	50
	10	70 - 550	780	130						650										
	15	75 - 1050	785	130						660										
	20	90 - 1700	790	130						660										
THi 400	10	80 - 575	935	160	900	400	310	160	300	765	100	270	280	199	12	150	140	167	22	85
	15	100 - 1100	940	160						775										
	20	100 - 1800	945	160						775										
	30	125 - 2750	955	160						775										
THi 500	15	200 - 1400	1090	200	1025	500	385	190	355	870	130	325	340	242	13	190	180	202	22	130
	20	200 - 2200	1095	200						870										
	30	200 - 3400	1100	200						870										
	50	200 - 5400	1110	200						870										
THi 630	30	500 - 3300	1245	240	1190	630	465	250	440	1000	170	400	420	295	15	236	225	244	27	206
	50	500 - 5500	1250	240						1000										
	70	500 - 8200	1260	240						1000										
THi 710	30	500 - 3800	1385	260	1302	710	525	270	490	1100	190	450	470	332	15	265	255	276	27	268
	50	500 - 6300	1390	260						1100										
	70	500 - 9400	1400	260						1100										