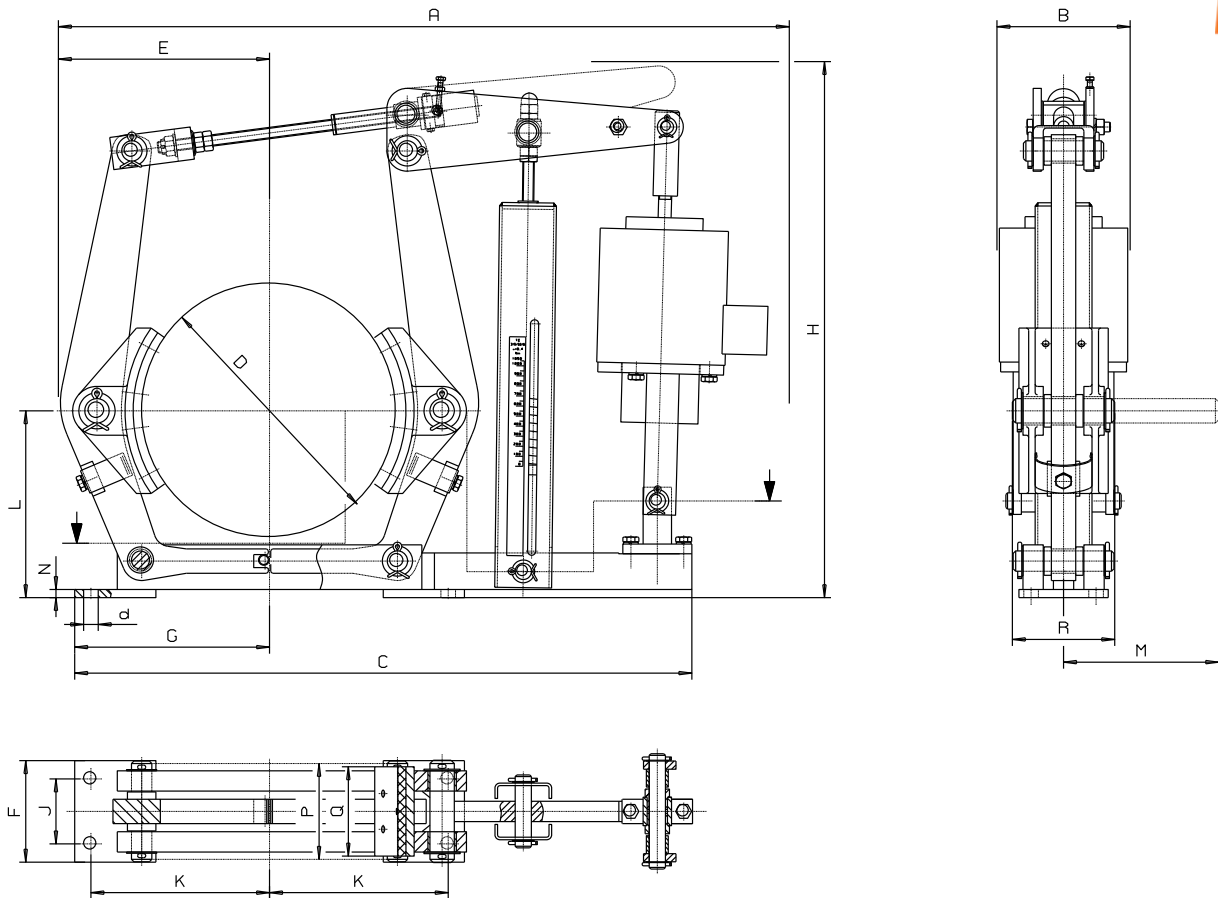


The TE series drum brakes shown here have been developed using state of the art industrial brake technology according to DIN 15435.

This robust model was particularly designed for use in general engineering, metallurgy, crane and conveyor plants, for use both underground and above ground, as well as in wind turbine plants.

These brakes are for use whenever a constant brake torque is of utmost importance, not only for reasons of safety but also from a commercial standpoint.



When ordering please advise:

- Brake type and solenoid with brake torque e.g. TMB 200/GH115-40 Nm
- power supply voltage of solenoid
- with or without wear compensation
- options

To achieve the torque values as indicated under "25%" the solenoid needs to be connected with SCU as per data sheet M 1501 376 E.

Brake type	Mbr (Nm) / torque at duty cycle		Solenoid type	A	B	C	D	E	F	G	H	J	K	L	M	N	P	Q	R	d	kg*
	25%	100%																			
TMB 200	170Nm	40Nm	GH 115	630	115	515	200	170	90	160	480	55	145	160	115	10	75	70	150	14	25
	380Nm	120Nm	GH 140	645	140																
TMB 250	380Nm	130Nm	GH 140	765	140	625	250	210	110	200	570	65	180	190	133	10	95	90	155	18	37
	790Nm	290Nm	GH 160	770	160																
TMB 315	475Nm	130Nm	GH 140	890	140	735	315	260	125	240	650	80	220	230	160	10	118	110	155	18	49
	1100Nm	360Nm	GH 160	910	180																
	1600Nm	550Nm	GH 180	910	180																
TMB 400	1100Nm	360Nm	GH 160	1040	160	900	400	310	160	300	765	100	270	280	199	12	150	140	180	22	80
	1700Nm	575Nm	GH 180	1055	180																
	2750Nm	900Nm	GH 215	1075	215																
TMB 500	1850Nm	550Nm	GH 160	1200	160	1025	500	385	190	355	870	130	325	340	242	13	190	180	185	22	130
	2750Nm	920Nm	GH 180	1210	180																
	3750Nm	1150Nm	GH 215	1230	215																
TMB 630	2500Nm	450Nm	GH 180	1360	180	1190	630	465	250	440	1000	170	400	420	295	15	236	225	215	27	206
	3300Nm	650Nm	GH 215	1380	215																
	5500Nm	2000Nm	GH 245	1400	245																
TMB 710	2900Nm	600Nm	GH 180	1500	180	1302	710	525	270	490	1100	190	450	470	332	15	265	255	215	27	268
	3800Nm	800Nm	GH 215	1520	215																
	6300Nm	2200Nm	GH 245	1540	245																