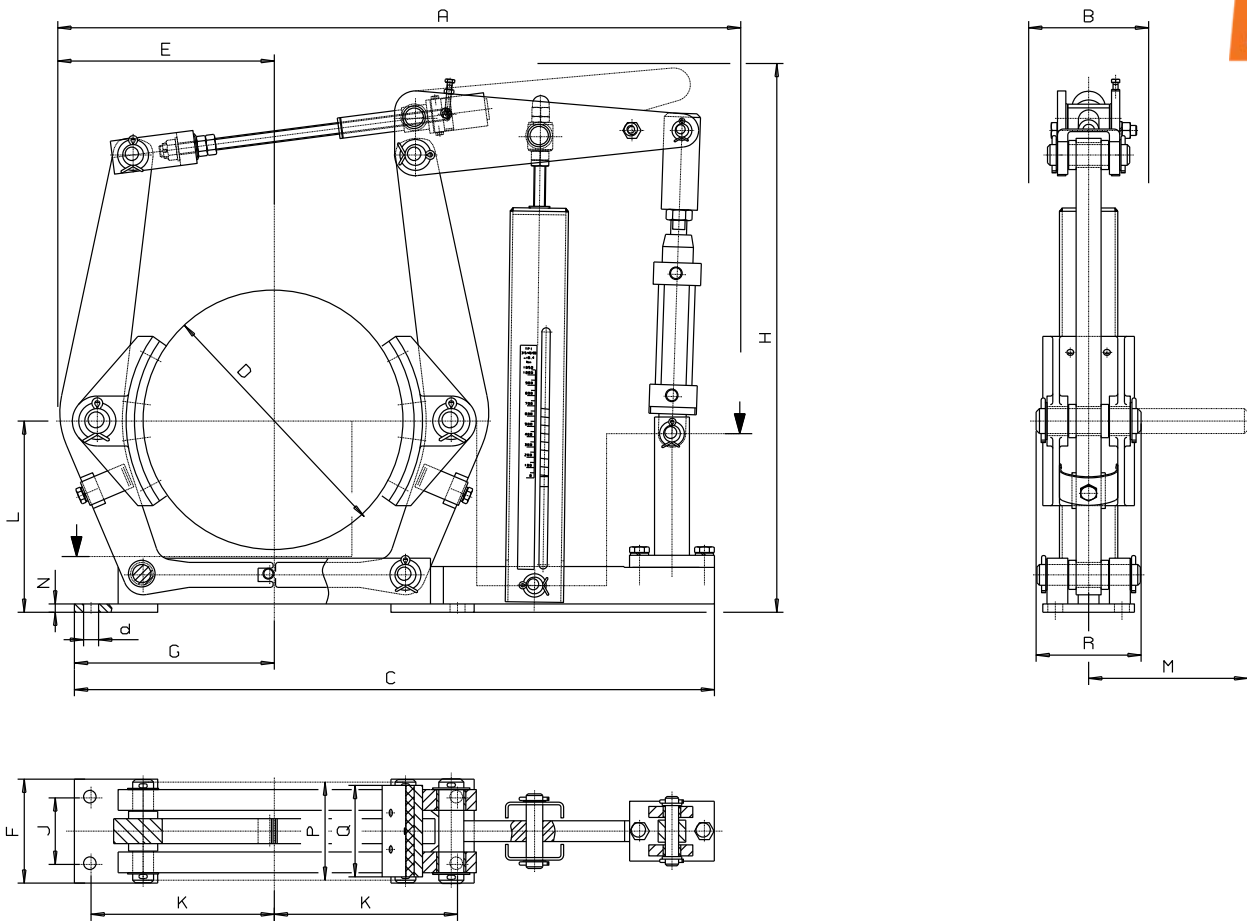


The TE series drum brakes shown here have been developed using state of the art industrial brake technology according to DIN 15435.

This robust model was particularly designed for use in general engineering, metallurgy, crane and conveyor plants, for use both underground and above ground, as well as in wind turbine plants.

These brakes are for use whenever a constant brake torque is of utmost importance, not only for reasons of safety but also from a commercial standpoint.



When ordering please advice:

- Brake type and pneumatic cilinder e.g.
TPi200/25/60
- with or without wear compensation
- options

Required pressure: 6 bar

Brake type	Pneumatic Cylinder	Mbr. (Nm) torque $\mu = 0,4$	A	B	C	D	E	F	G	H	J	K	L	M	N	P	Q	R	d	kg*
TPi 200	Ø 25/50	50 - 300	535	95	515	200	170	90	160	475	55	145	160	115	10	75	70	96	14	19
	Ø 32/50	85 - 400	540	95						475										
TPi 250	Ø 25/50	40 - 325	660	110	625	250	210	110	200	550	65	180	190	133	10	95	90	113	18	30
	Ø 32/50	40 - 450	660	110						550										
	Ø 40/80	100 - 850	665	110						560										
TPi 315	Ø 25/50	70 - 420	780	130	735	315	260	125	240	650	80	220	230	160	10	118	110	135	18	50
	Ø 32/50	70 - 550	780	130						650										
	Ø 40/80	75 - 1050	785	130						660										
	Ø 50/80	90 - 1700	790	130						660										
TPi 400	Ø 32/50	80 - 575	935	160	900	400	310	160	300	765	100	270	280	199	12	150	140	167	22	85
	Ø 40/80	100 - 1100	940	160						775										
	Ø 50/80	100 - 1800	945	160						775										
	Ø 63/80	125 - 2750	955	160						775										
TPi 500	Ø 40/80	200 - 1400	1090	200	1025	500	385	190	355	870	130	325	340	242	13	190	180	202	22	130
	Ø 50/80	200 - 2200	1095	200						870										
	Ø 63/80	200 - 3400	1100	200						870										
	Ø 80/80	200 - 5400	1110	200						870										
TPi 630	Ø 63/80	500 - 3300	1245	240	1190	630	465	250	440	1000	170	400	420	295	15	236	225	244	27	206
	Ø 80/80	500 - 5500	1250	240						1000										
	Ø100/80	500 - 8200	1260	240						1000										
TPi 710	Ø 63/80	500 - 3800	1385	260	1302	710	525	270	490	1100	190	450	470	332	15	265	255	276	27	268
	Ø 80/80	500 - 6300	1390	260						1100										
	Ø100/80	500 - 9400	1400	260						1100										