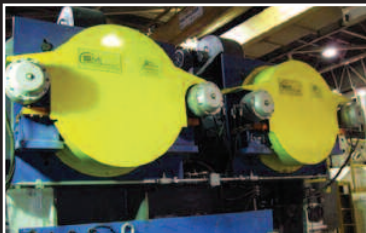




Caliper Disc Brakes for Draglines

- Proven safety that passes motor stall test for all motor frames
- Flange Mounted Floating Bracket for Drag Line Hoist Motors
- Provides smooth, accurate and reliable braking
- Brakes and linings can easily be replaced in the field in minutes
- Easily handles multiple and consecutive high energy stops
- Rebuilds are very inexpensive and can be performed in-house
- Lowest cost of ownership of any brake on the market



Hoist Motor Brakes Coremo E4N-BP on SMI Floating Bracket

IndustrialClutch.com
+44 (0) 1663 734 627

INDUSTRIAL CLUTCH PARTS

Industrial Clutch Parts Ltd is a global specialist supplier of brakes, clutches, couplings and friction material to all types of industry. Our in depth technical knowledge and experience ensures that we are able to offer the best possible solution for each and every application.



QUALITY APPROVED

Industrial Clutch Parts Ltd is a global specialist supplier of brakes, clutches, couplings and friction material to all types of industry. Our in depth technical knowledge and experience ensures that we are able to offer the best possible solution for each and every application.

IndustrialClutch.com
+44 (0) 1663 734 627

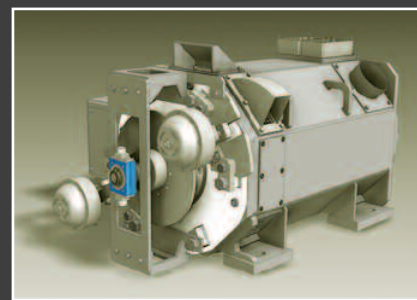
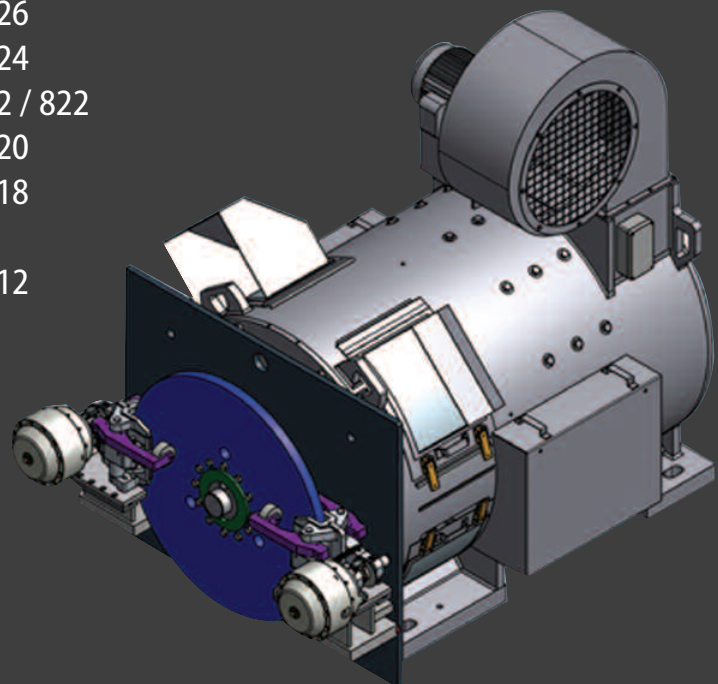


Caliper Brake for every application

Hoist, Drag, Swing & Propel

The ICP caliper brakes fit AC or DC drive motor frames:

1026 / 826
1024 / 824
622 / 722 / 822
1020 / 820
1018 / 818
814
1012 / 812
810
808



INDUSTRIAL CLUTCH PARTS